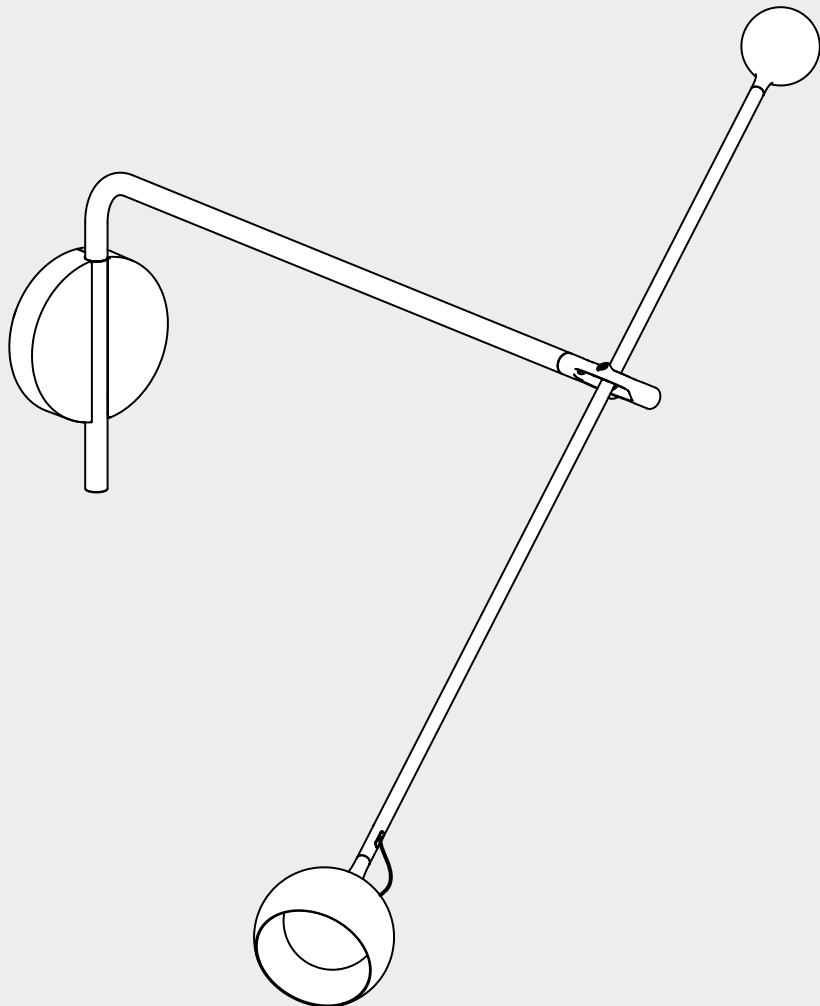


# Artemide®

## IXA ARM

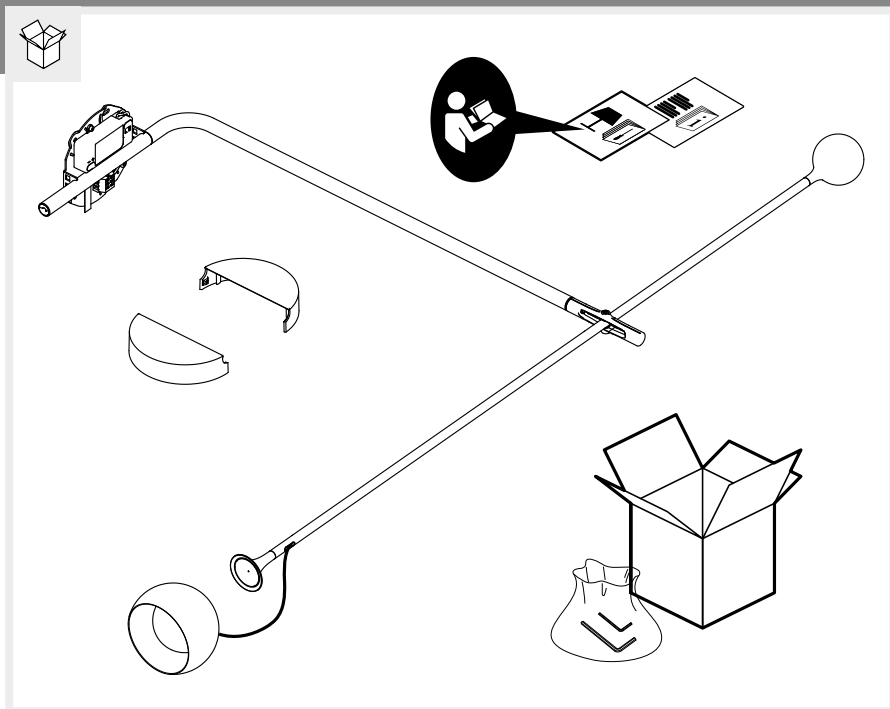
design  
Foster + Partners  
Industrial Design



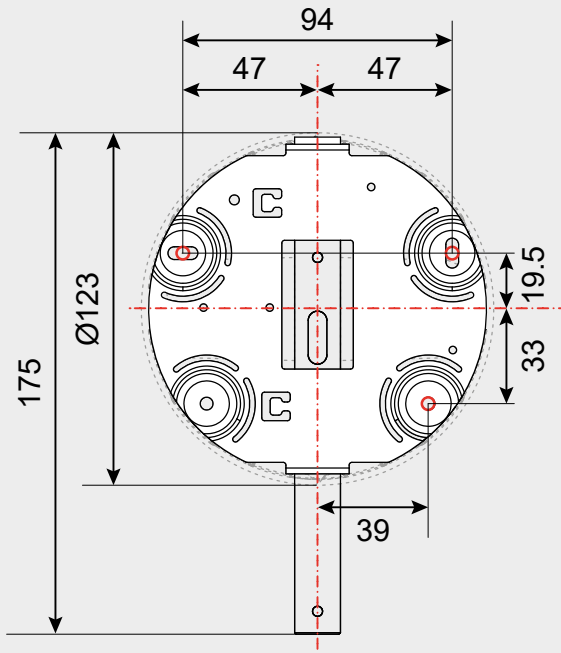


i

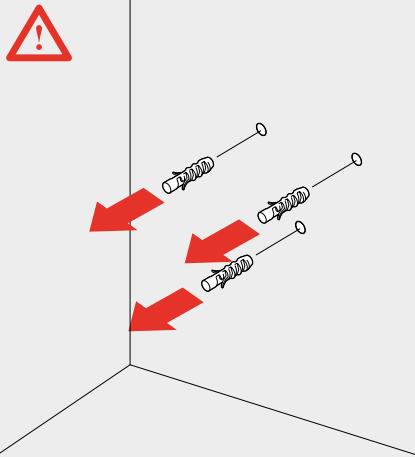
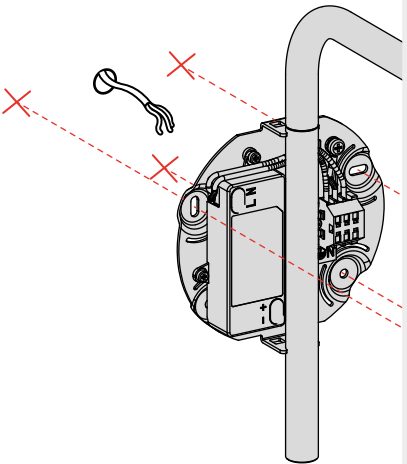
CE	IP20		UK CA	LED0
?	→		→	



**i**

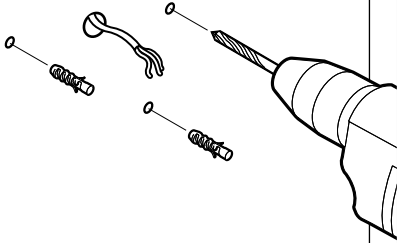


**1**

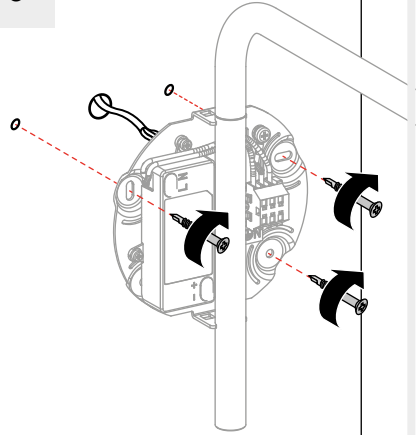


**! 500 N**

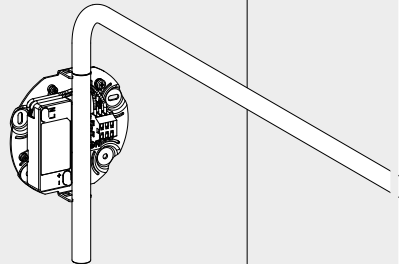
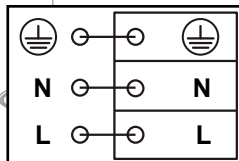
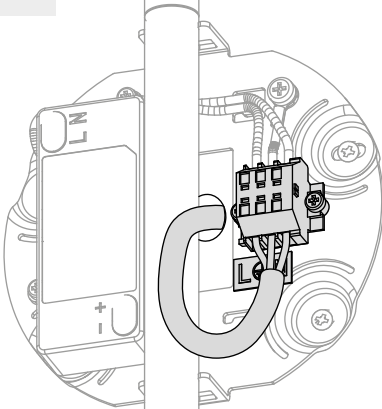
2



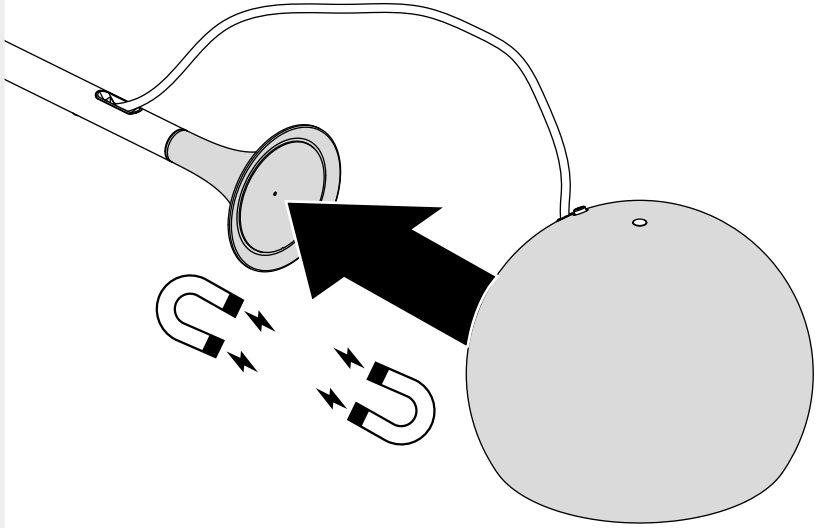
3



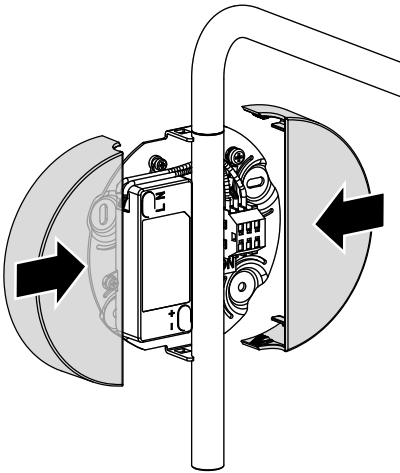
4



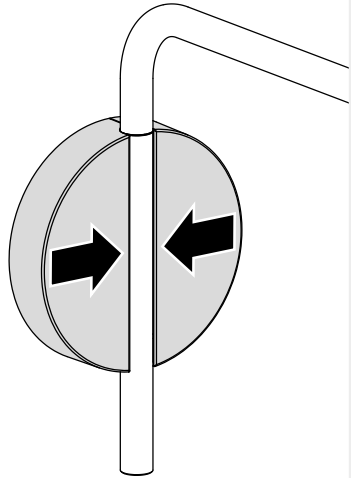
5



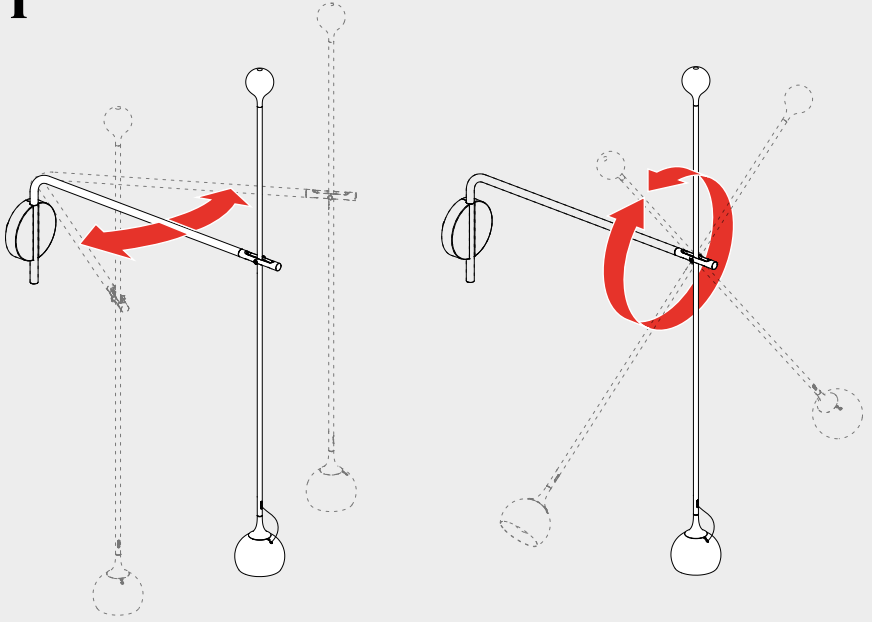
6



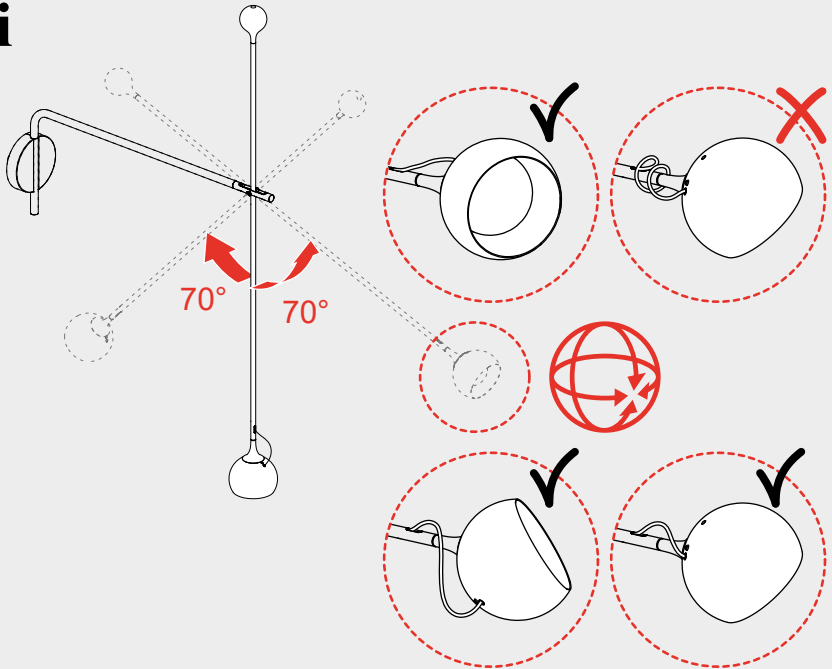
7



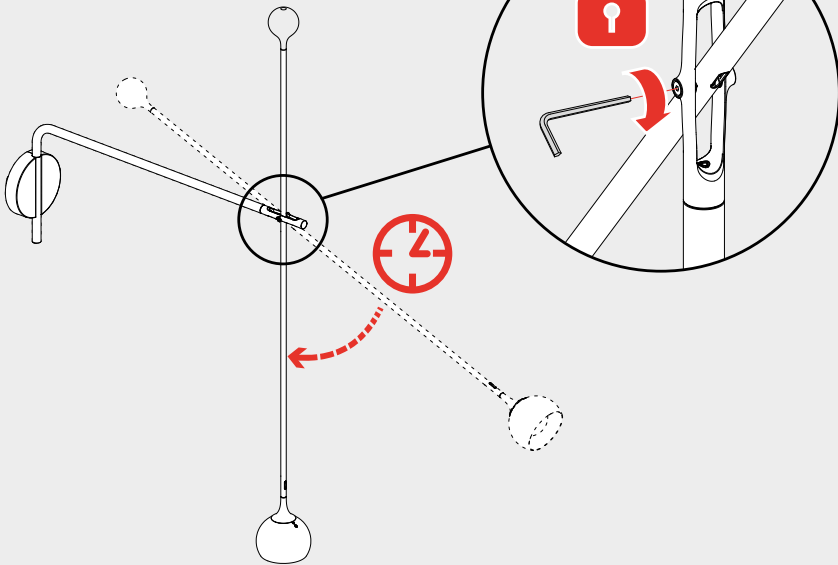
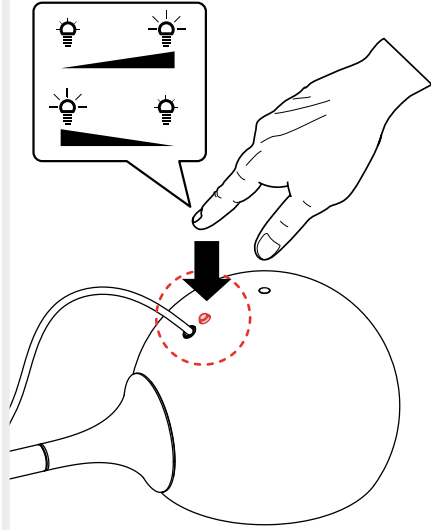
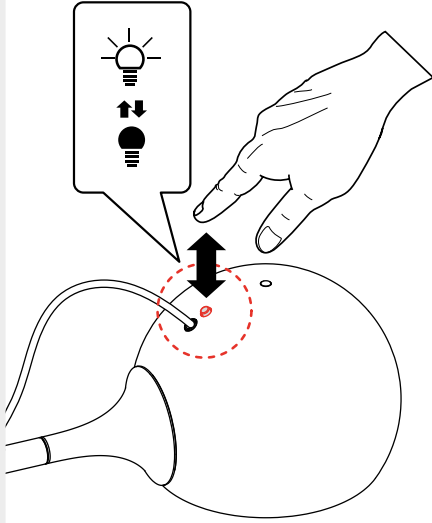
**i**



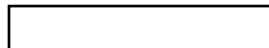
**i**



9



**Artemide®**



**Artemide**

via Bergamo, 18  
20006 Pregnana M.se (MI)  
ITALIA

tel. +39 02 935 181  
fax +39 02 935 90 254  
fax +39 02 935 90 496

[www.artemide.com](http://www.artemide.com)

VAT IT00846890150

cod. Y513001743C