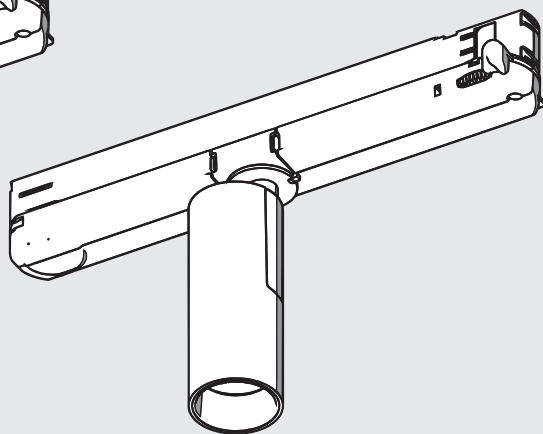
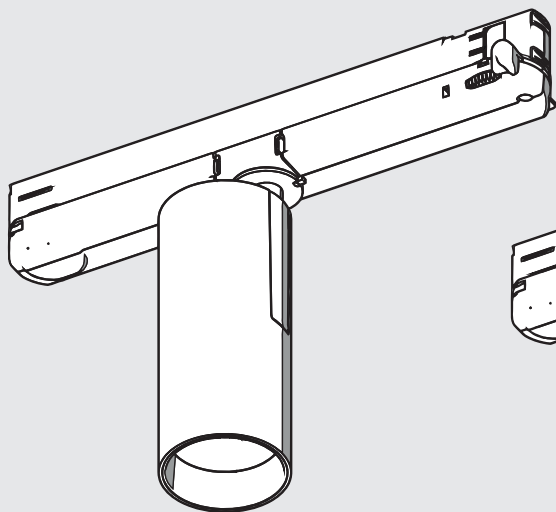


VECTOR 40/55 TRACK NO DIMM

VECTOR 40/55 TRACK DALI

VECTOR 40/55 TRACK BLL

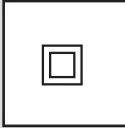
design
Carlotta De Bevilacqua





i

**VECTOR
40/55 DALI**

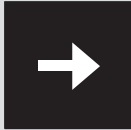
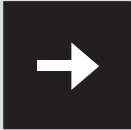


VECTOR 40

VECTOR 40

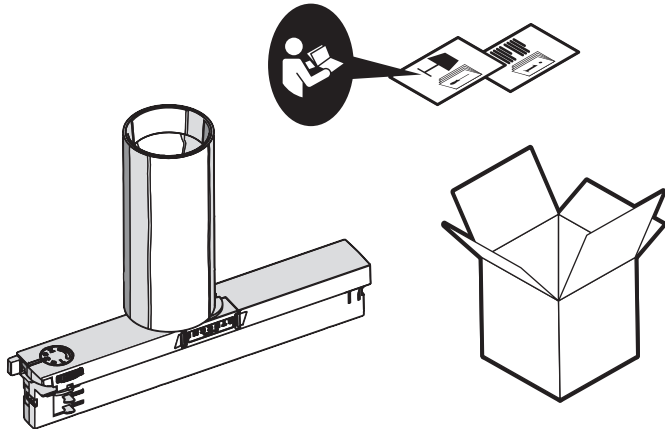


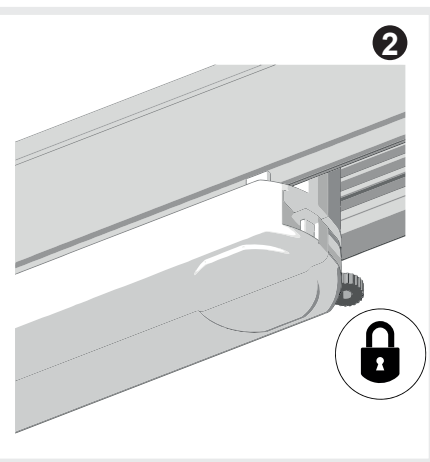
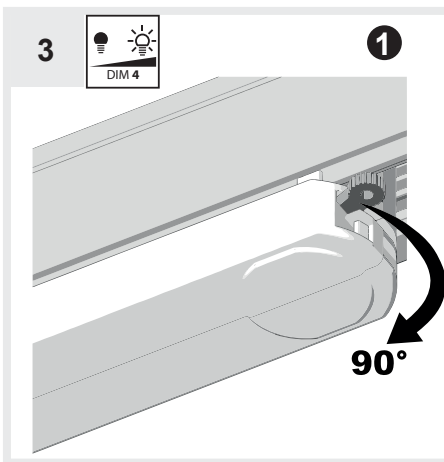
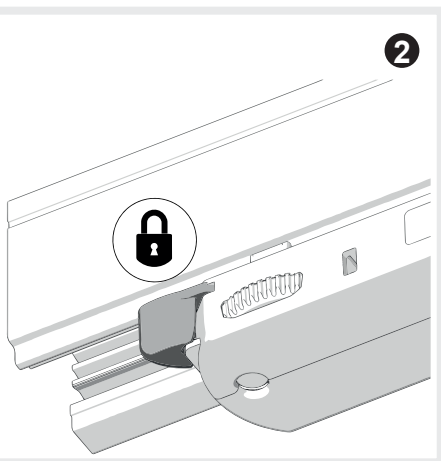
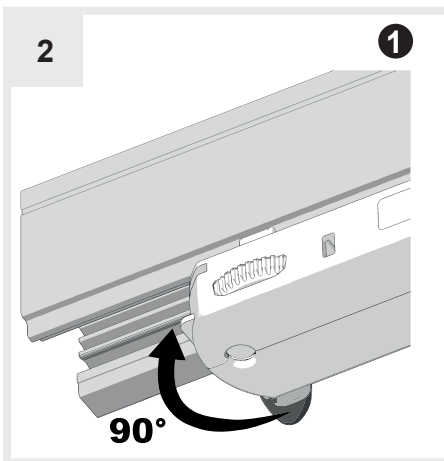
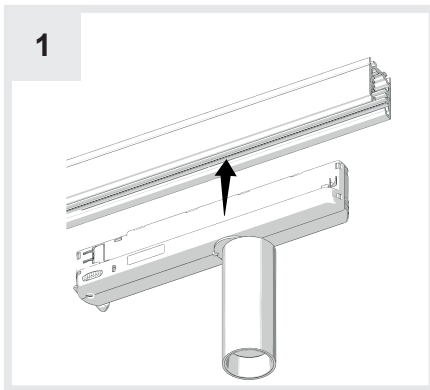
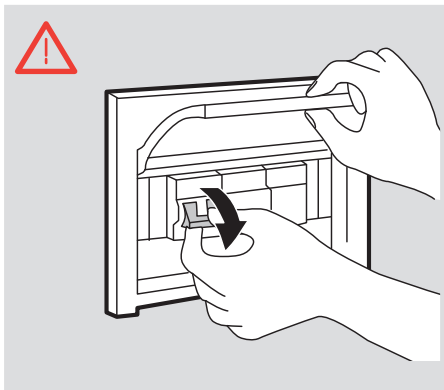
	LED1 from Dthr (m)		
	2700K	3000K	4000K
SP	1,6	1,6	2,15
FL	LED1	LED1	1,75
WF	LED1	LED1	1,75



i

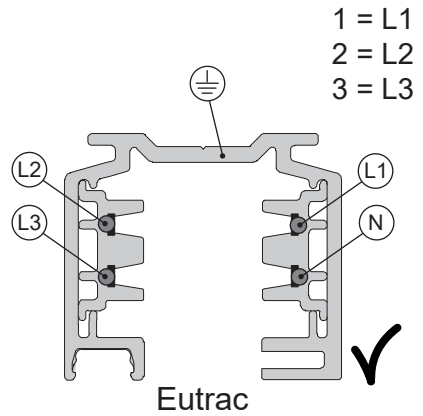
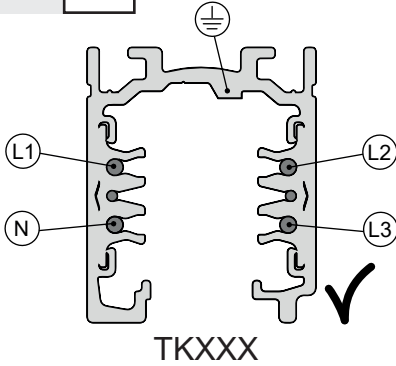
	Inrush current (typ @230VAC) [A]	t_{width} measured at 50% Ipeak [μ sec]	Number of spots under same MCB		
			B16A	B20A	B25A
DALI	5	50	50	62	75
ND	5	50	50	62	75





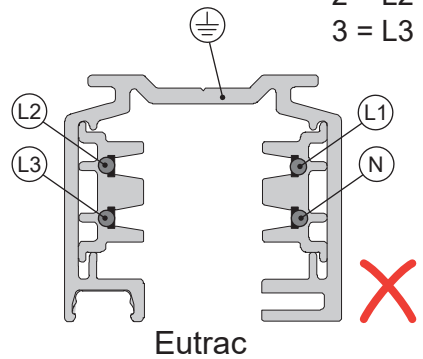
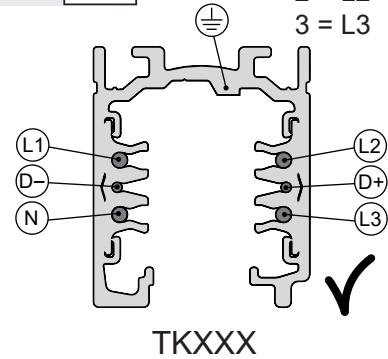
Use on TKXXX or Eutrac tracks

4a



1 = L1
2 = L2
3 = L3

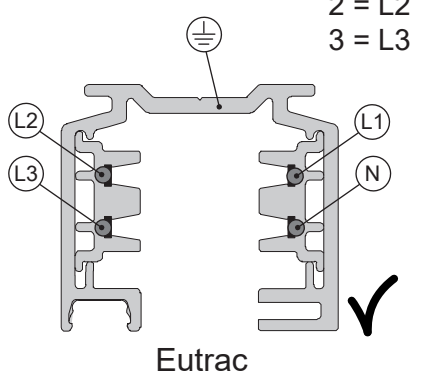
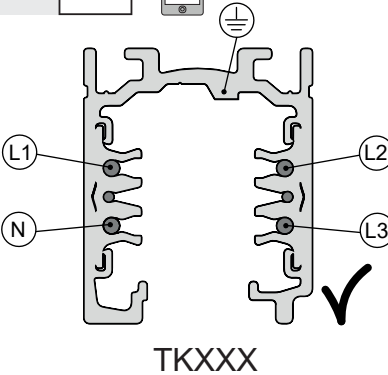
4b



1 = L1
2 = L2
3 = L3

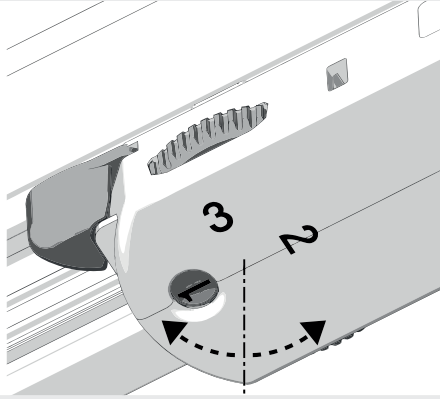
1 = L1
2 = L2
3 = L3

4c

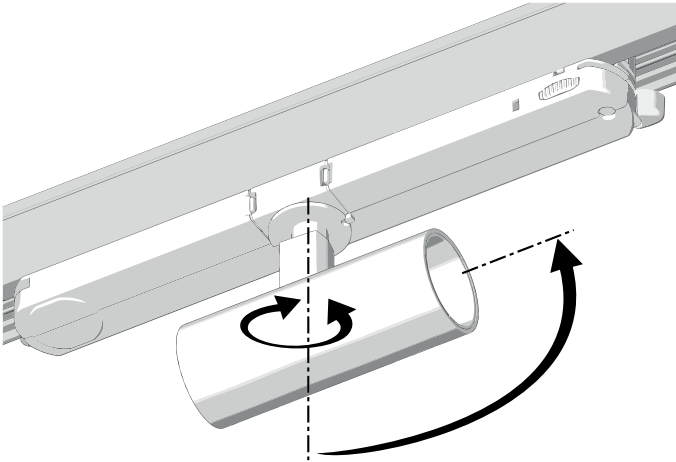


1 = L1
2 = L2
3 = L3

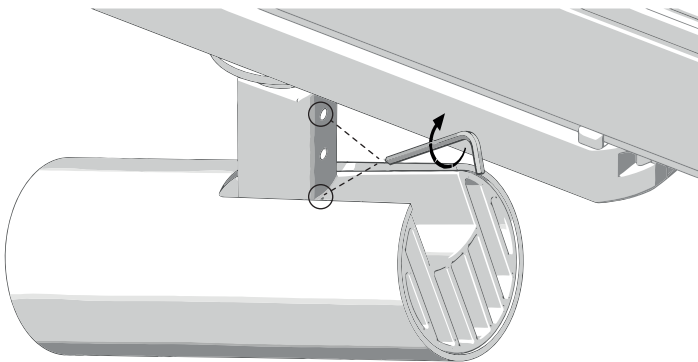
5

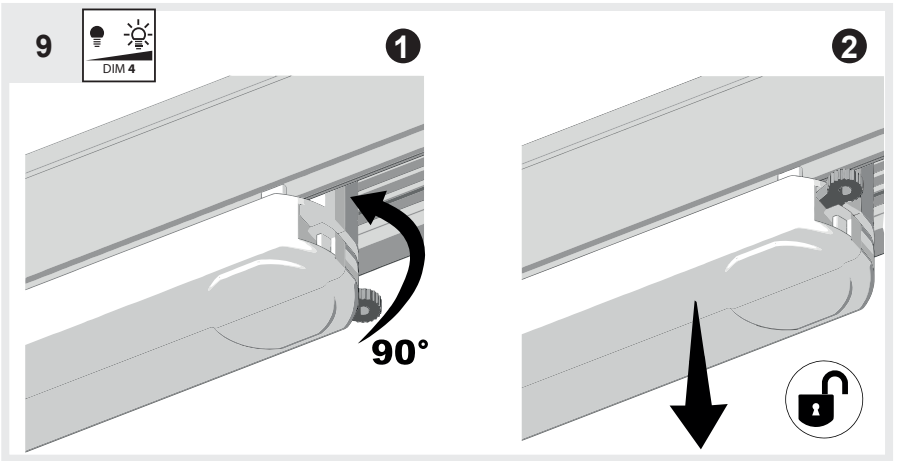
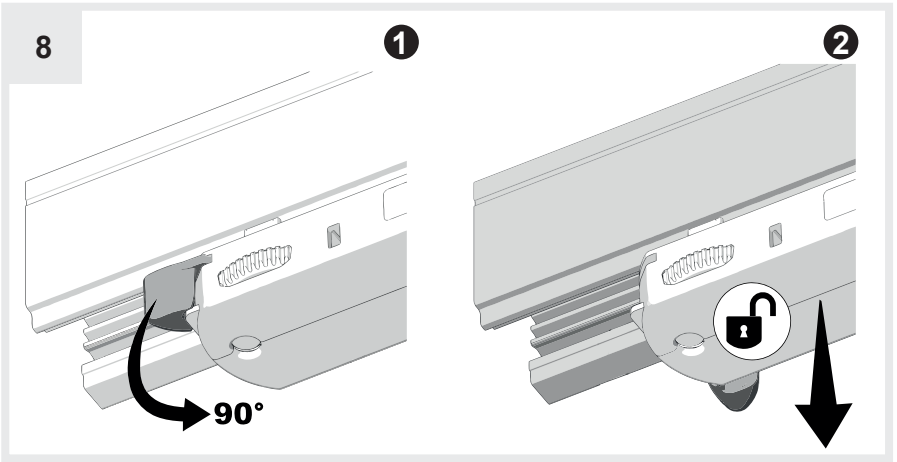


6



7





GET IT ON
Google Play



Download on the
App Store

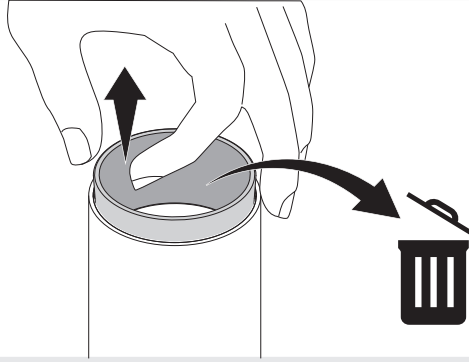


download the Artemide App
& find more information on
artemide.com



VECTOR 40 ACCESSORIES

1



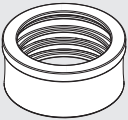
i



AP9X100



+



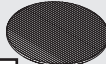
AP9X300

A



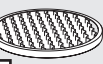
AP9X200

B



AP9X400

C



AP9X500

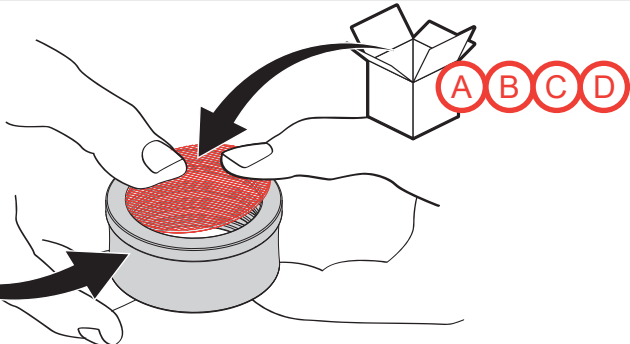
D



2



AP9X100



VECTOR 40 ACCESSORIES

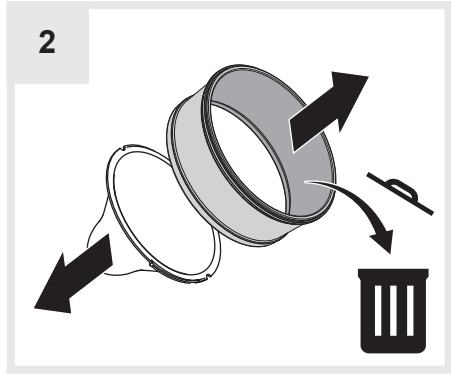
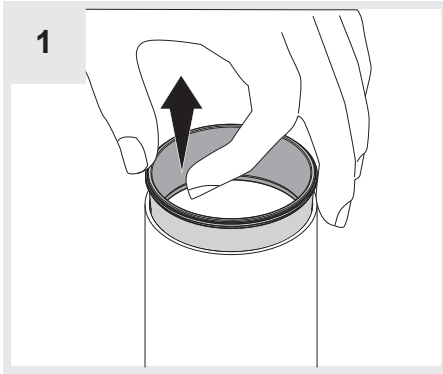
i


	A	B	C	D
1				•
2	•	•	•	
3	•	•		
4	•	•		

Legend: ○ (white), ● (black), ● (hatched), □ (white)


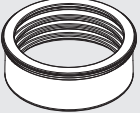
3

VECTOR 55 ACCESSORIES






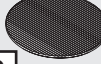
i 



AP9X100


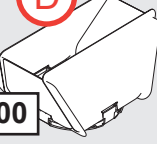



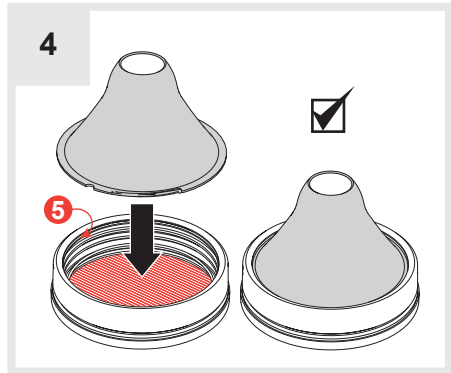
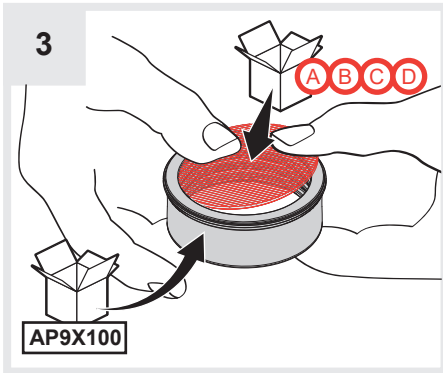
+

A 
AP9X300 

B 
AP9X200 


C 
AP9X400 

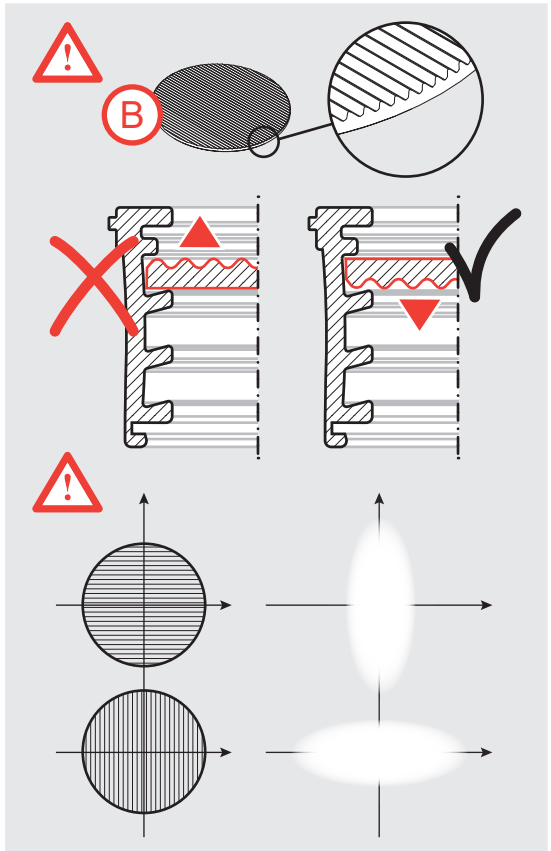
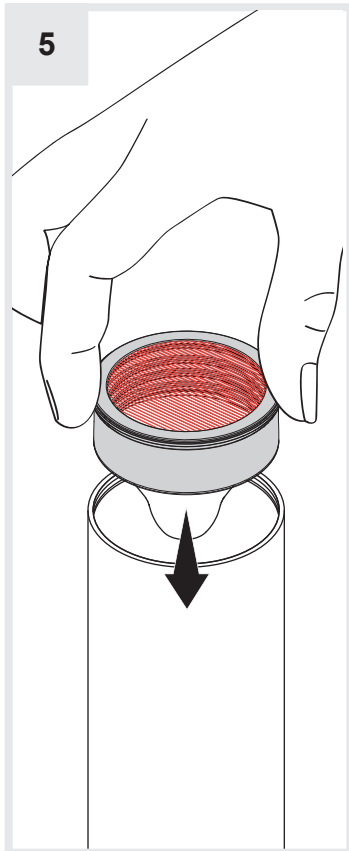
D 
AP9X500 

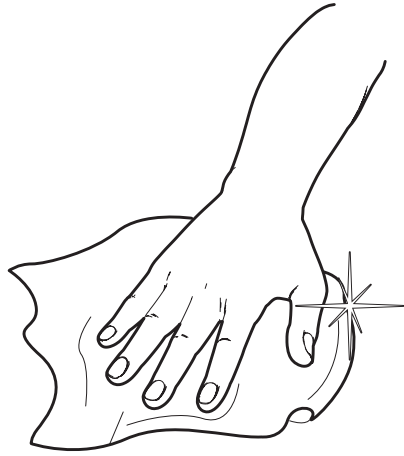
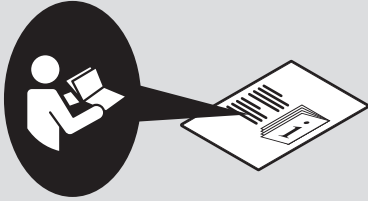


VECTOR 55 ACCESSORIES

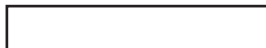
i

	A	B	C	D	
1				•	
2	•	•	•		
3	•	•			
4	•	•			
5					•





Artemide®



Artemide

via Bergamo, 18
20006 Pregnana M.se (MI)
ITALIA

tel. +39 02 935 181
fax +39 02 935 90 254
fax +39 02 935 90 496

www.artemide.com

VAT IT00846890150

Artemide Inc.

250 Karin Lane
Hicksville, NY 11801

Tel. 631 694 9292
Toll Free 1-877-Art-9111
Fax 631 694 9275

www.artemide.net

Artemide Ltée/Ltd.

11105 rue Renaude Lapointe
Montréal, Québec H1J 2T4

Tel. 514 323 6537
Toll Free 888 777 2783
Fax 514 323 8864

www.artemide.net

cod. Y513001171E