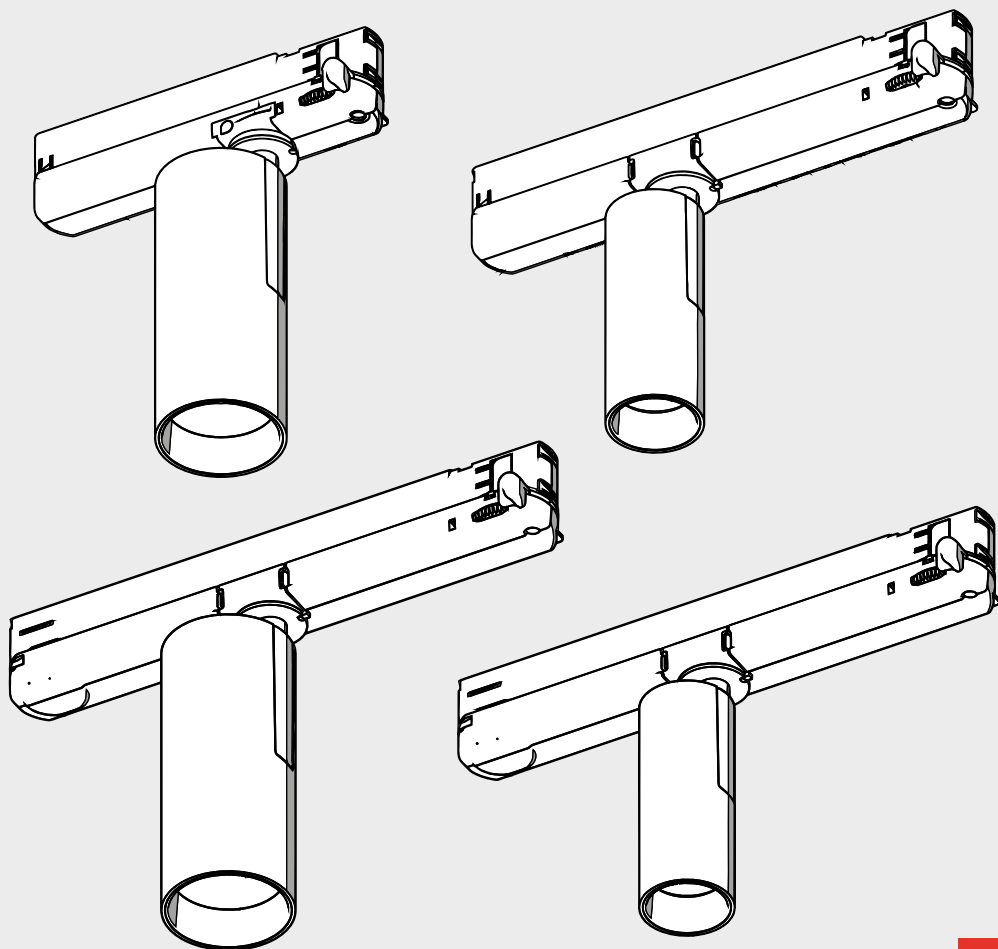


VECTOR 40/55 THREE-PHASE ON-OFF
VECTOR 40/55 THREE-PHASE DALI
VECTOR 55 ZOOM THREE-PHASE DALI

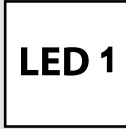
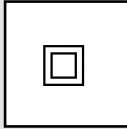
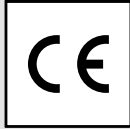
design
Carlotta De Bevilacqua





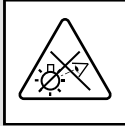
i

VECTOR
40/55 DALI VECTOR 55

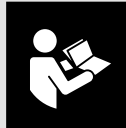
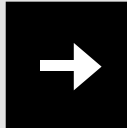
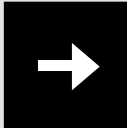
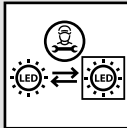
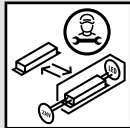
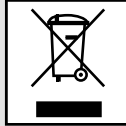


VECTOR 40

VECTOR 40

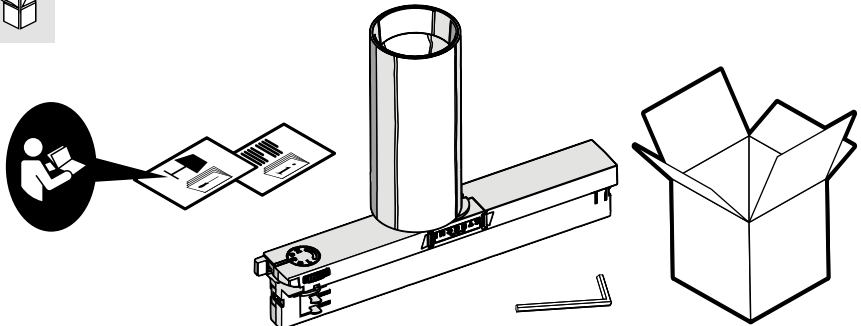


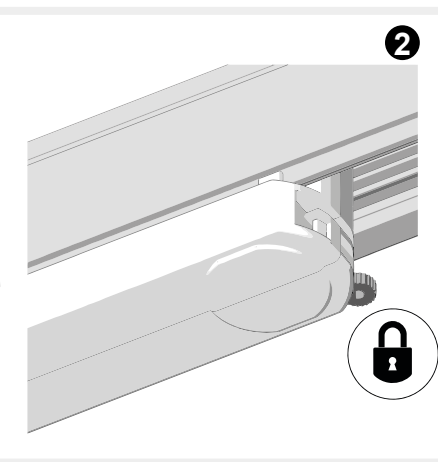
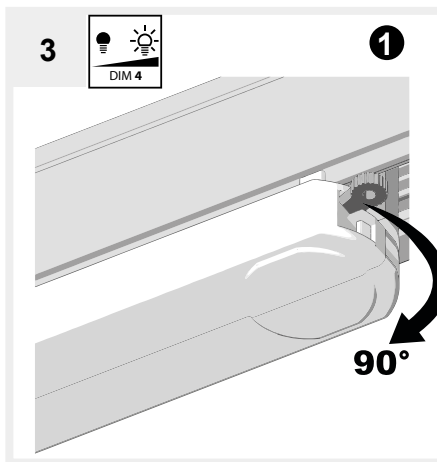
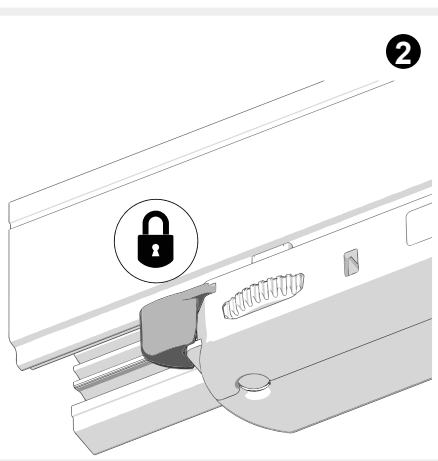
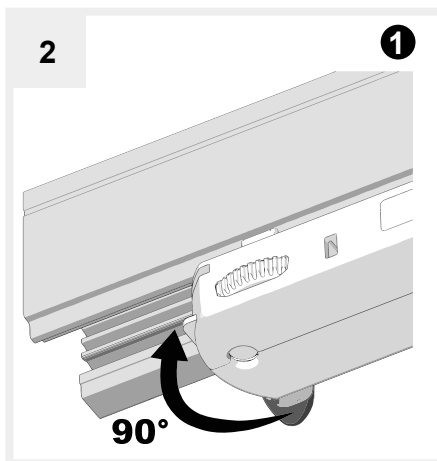
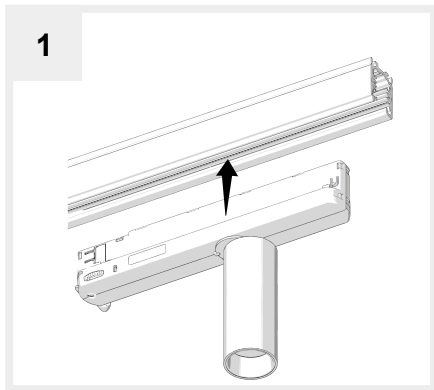
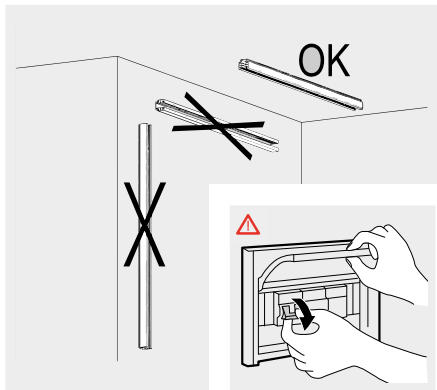
	LED1 from Dthr (m)		
	2700K	3000K	4000K
SP	1,6	1,6	2,15
FL	LED1	LED1	1,75
WF	LED1	LED1	1,75



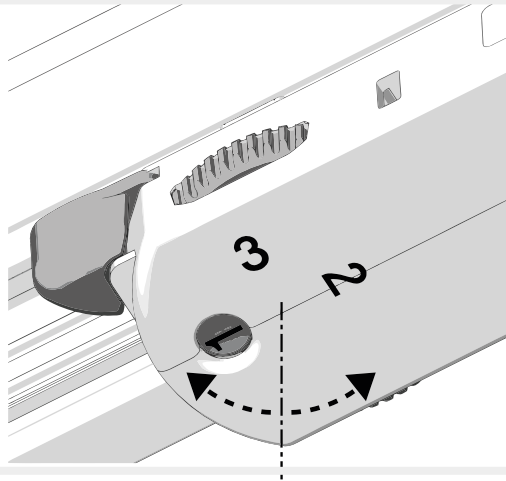
i

	Inrush current (typ @230VAC) [A]	t_{width} measured at 50% Ipeak [μ sec]	Number of spots under same MCB		
			B16A	B20A	B25A
DALI	5	50	50	62	75
ND	5	50	50	62	75





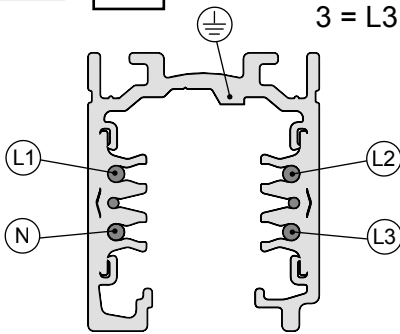
4



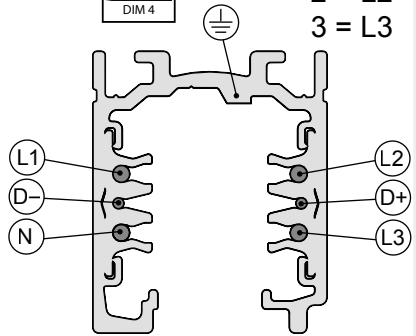
5



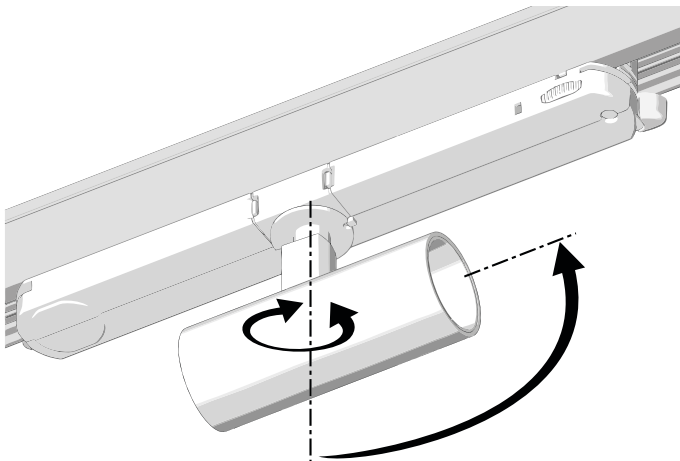
1 = L1
2 = L2
3 = L3



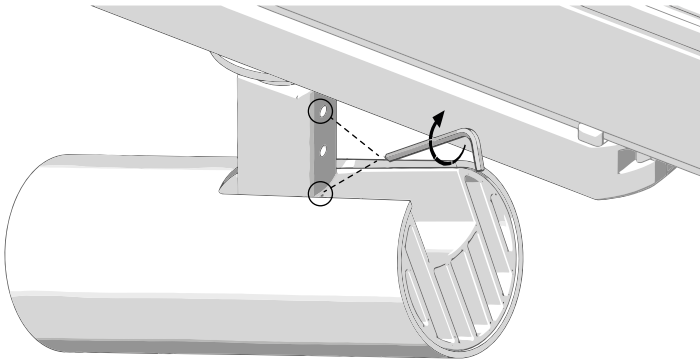
1 = L1
2 = L2
3 = L3



6



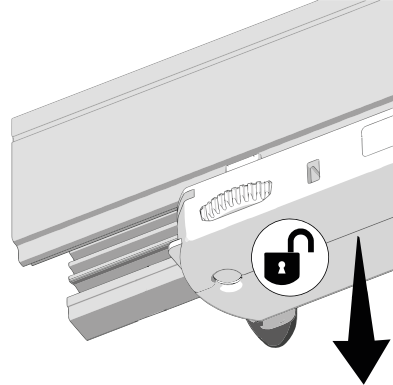
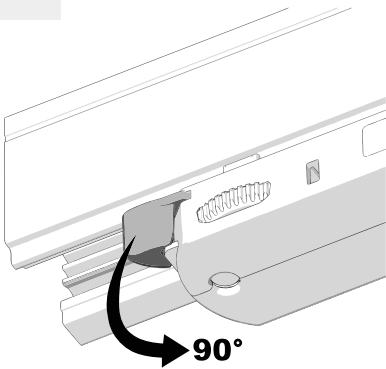
7



8

1

2

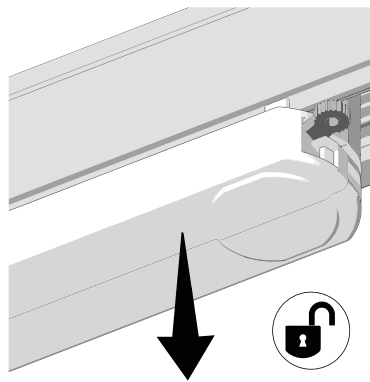
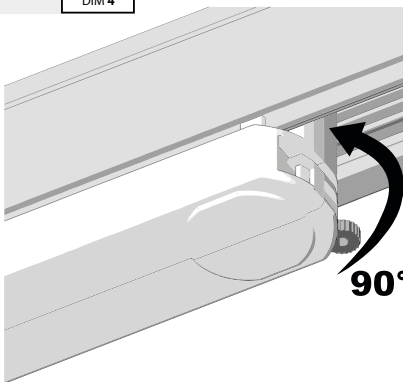


9



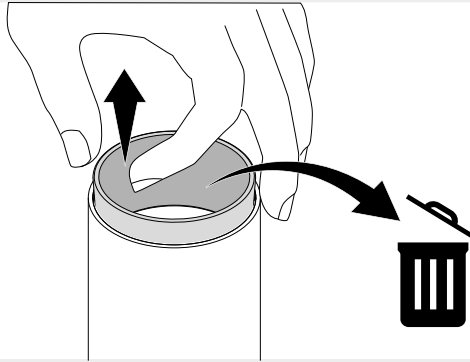
1

2



VECTOR 40 ACCESSORIES

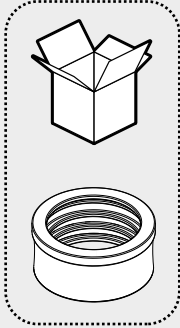
1



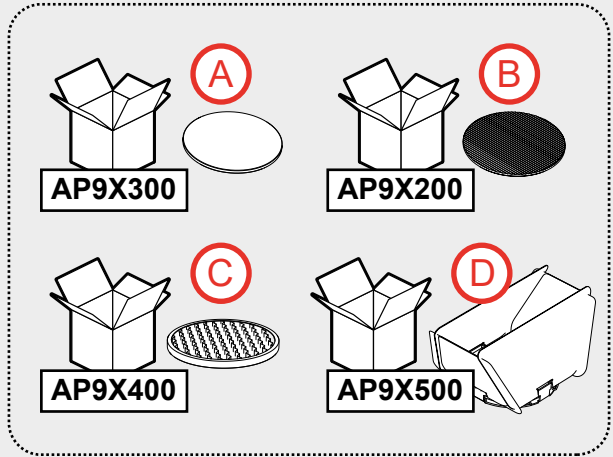
i



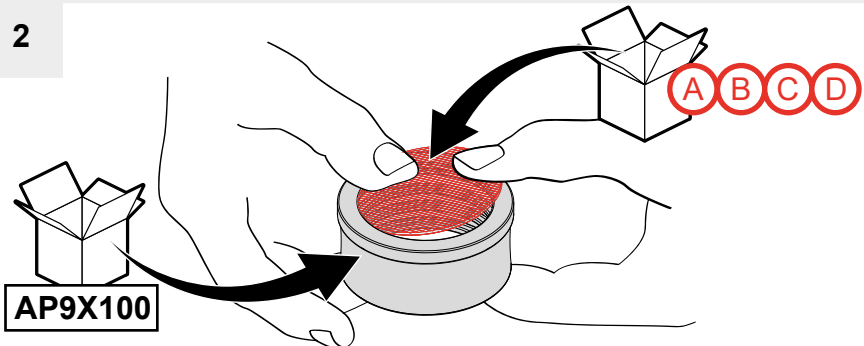
AP9X100



+

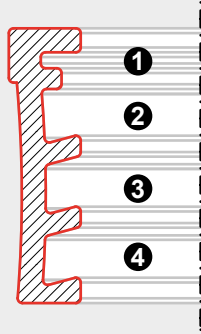
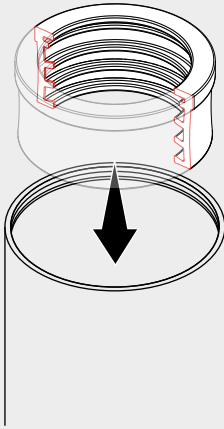


2



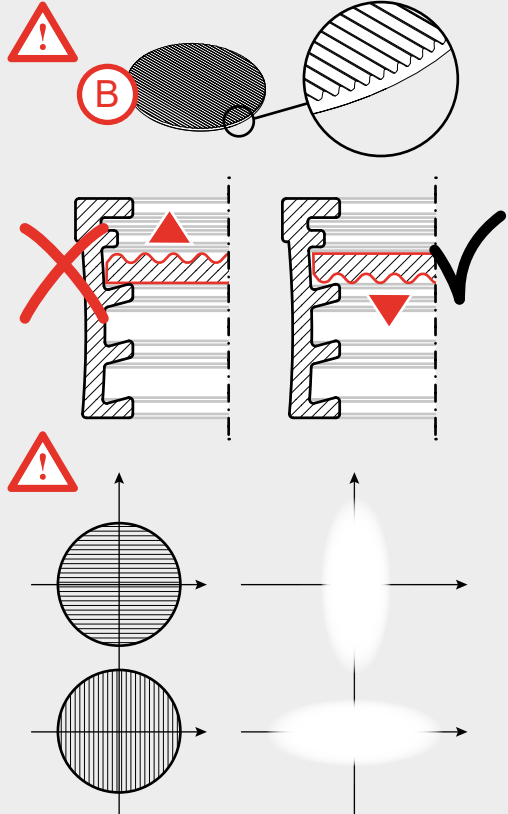
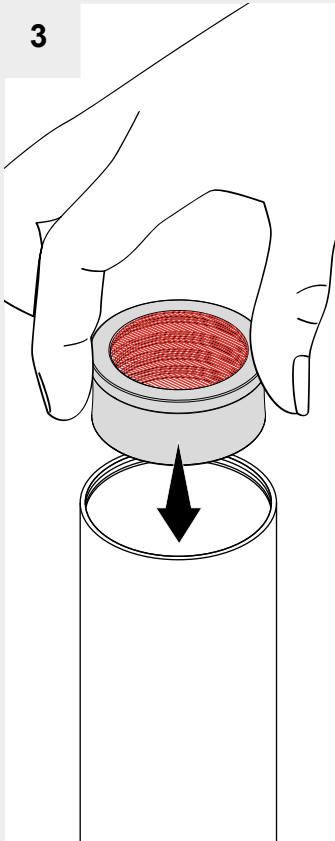
VECTOR 40 ACCESSORIES

i

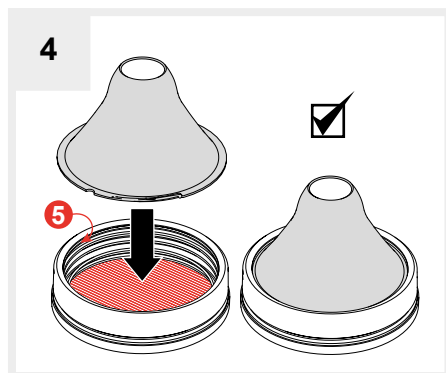
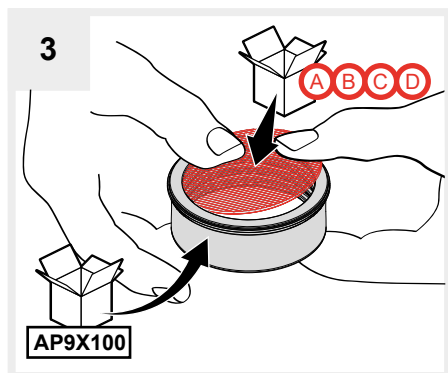
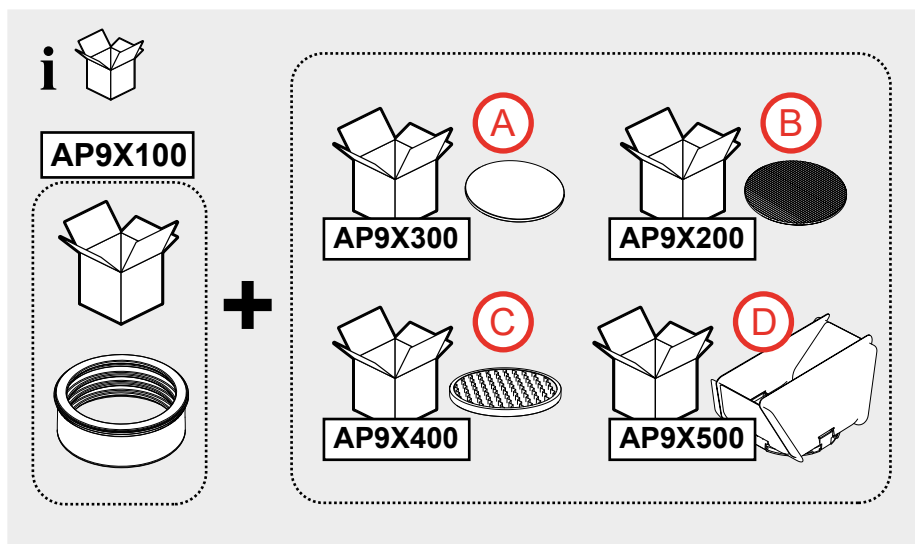
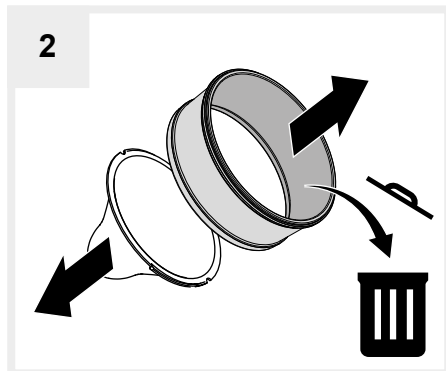
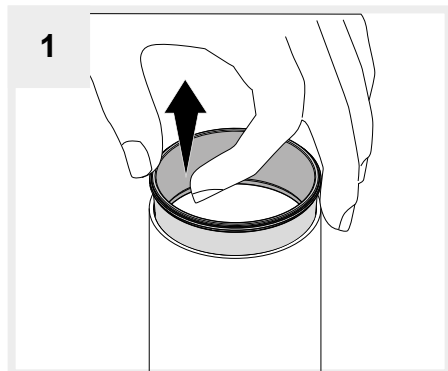


	A	B	C	D
1				•
2	•	•	•	
3	•	•		
4	•	•		

3




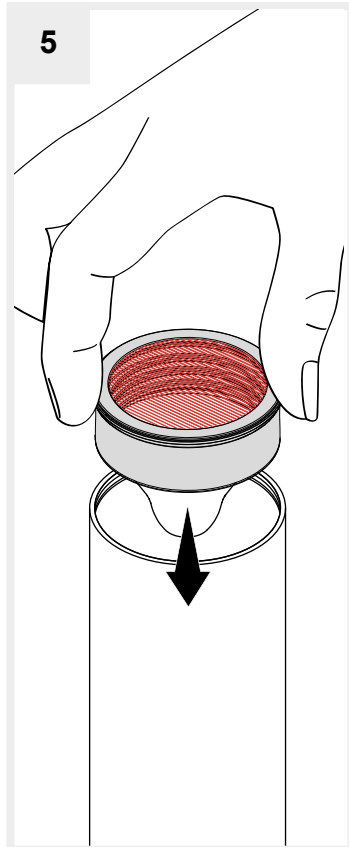
VECTOR 55 ACCESSORIES



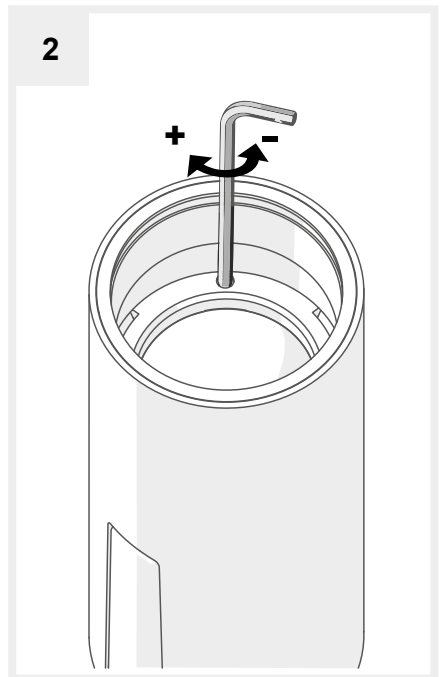
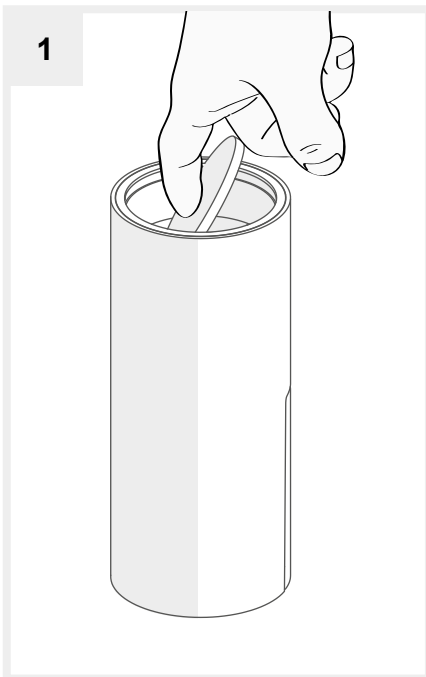
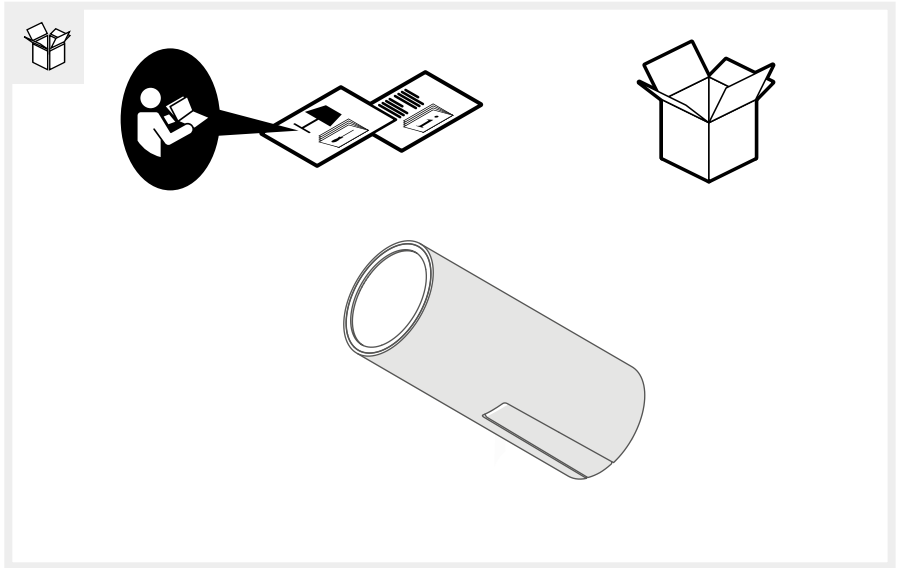
VECTOR 55 ACCESSORIES

i

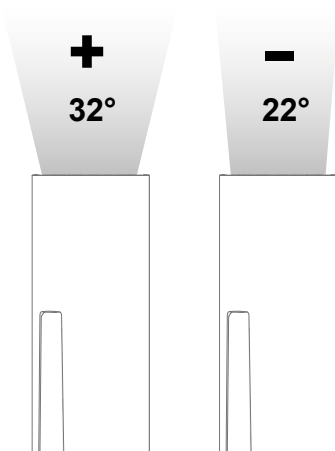
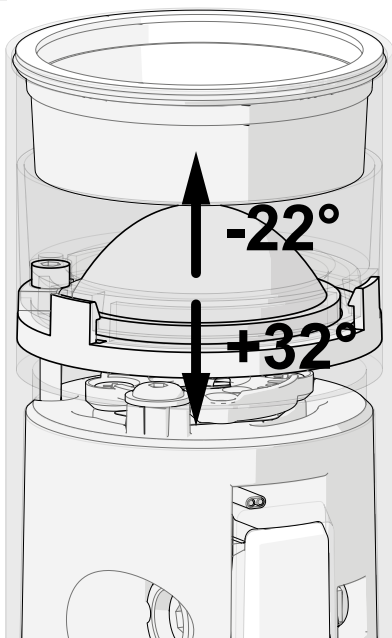
	A	B	C	D	
1				•	
2	•	•	•		
3	•	•			
4	•	•			
5					•



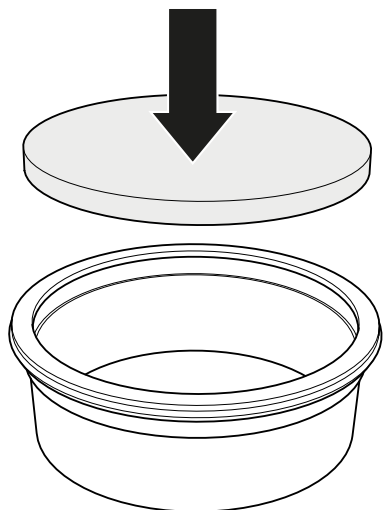
VECTOR 55 ZOOM THREE-PHASE DALI



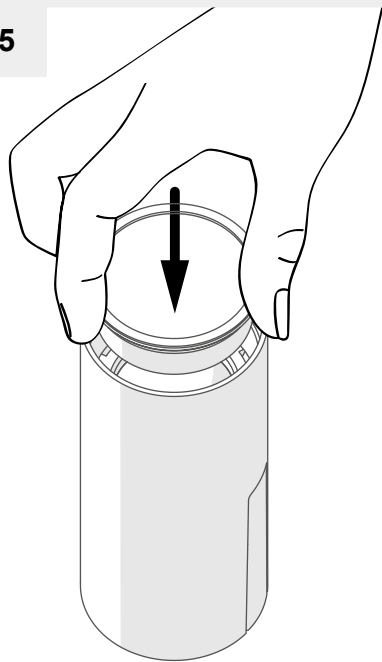
3

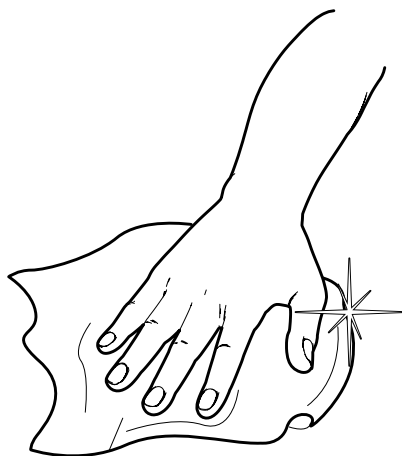
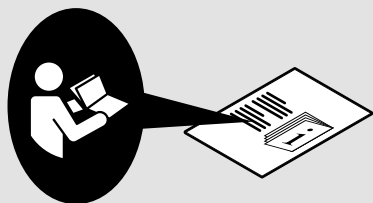


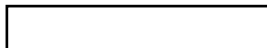
4



5







Artemide Spa

via Bergamo, 18
20006 Pregnana M.se (MI)
ITALIA

Tel. +39 02 935 181
Fax +39 02 935 90 254
Fax +39 02 935 90 496

www.artemide.com

VAT IT00846890150