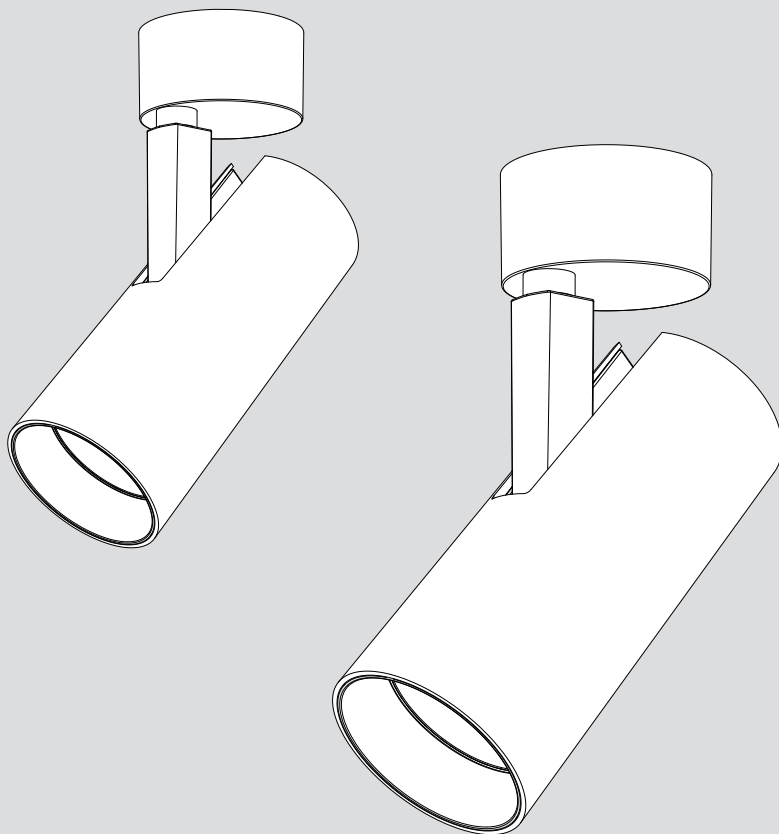


## VECTOR 40/55 CEILING

design

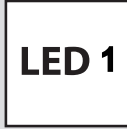
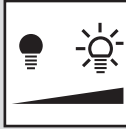
Carlotta de Bevilacqua





i

VECTOR 55

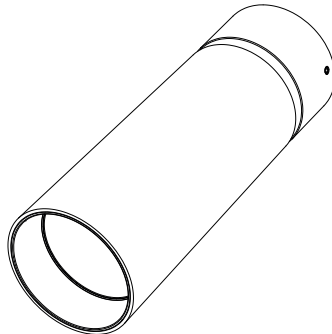
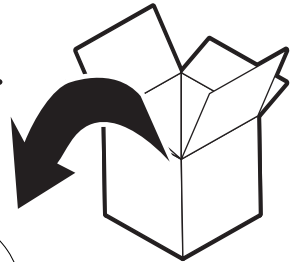
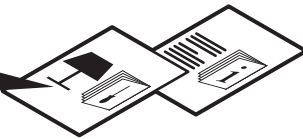
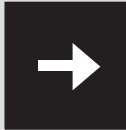
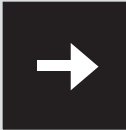
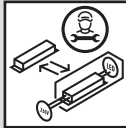
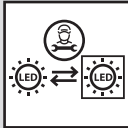


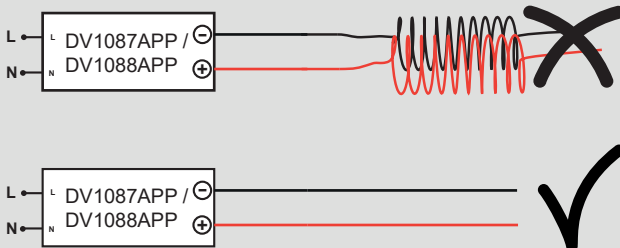
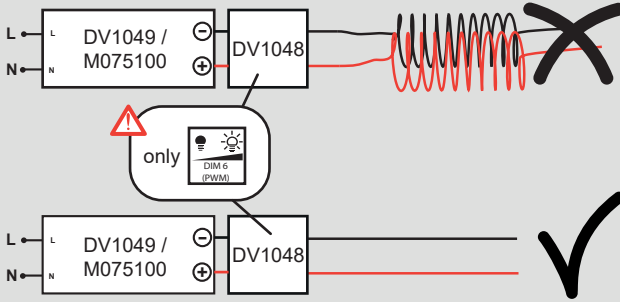
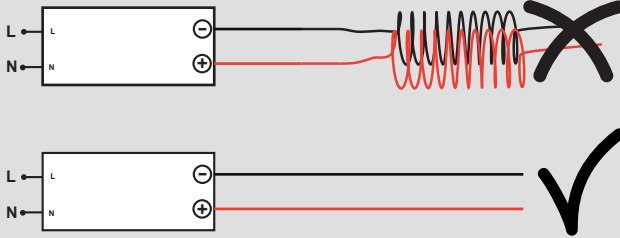
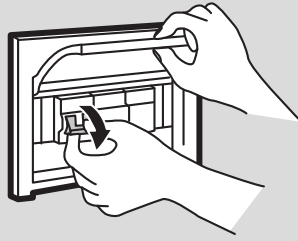
VECTOR 40

VECTOR 40



	LED1 from Dthr (m)		
	2700K	3000K	4000K
SP	1,6	1,6	2,15
FL	LED1	LED1	1,75
WF	LED1	LED1	1,75





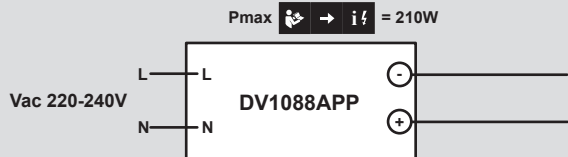
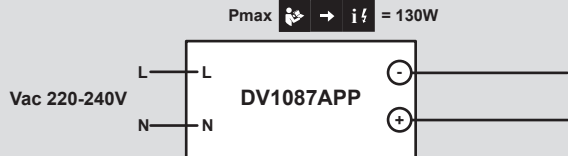
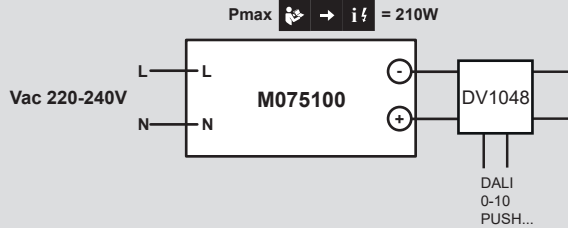
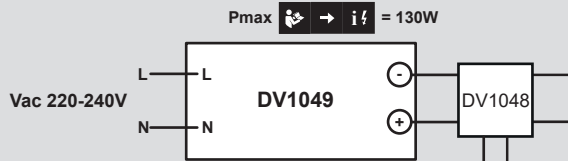
i



VECTOR 40 P = 9 Watt

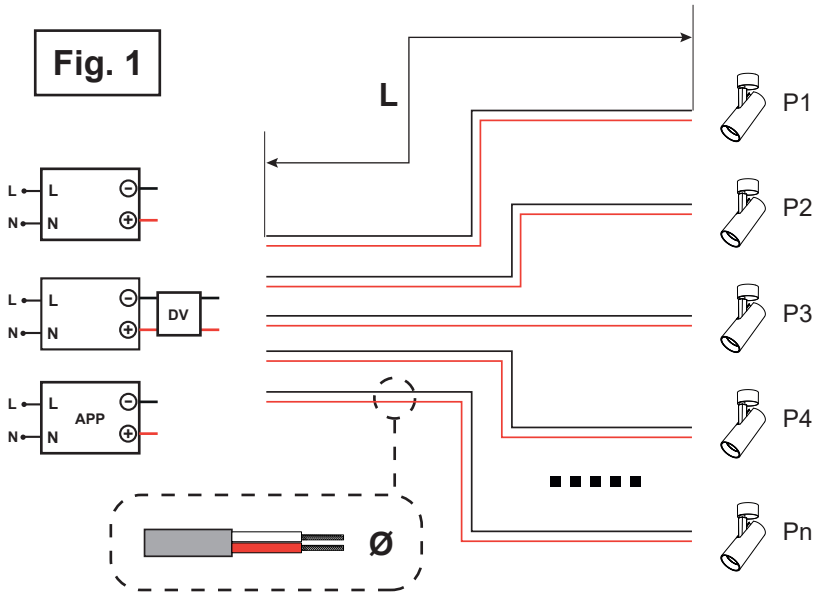


VECTOR 55 P = 24 Watt



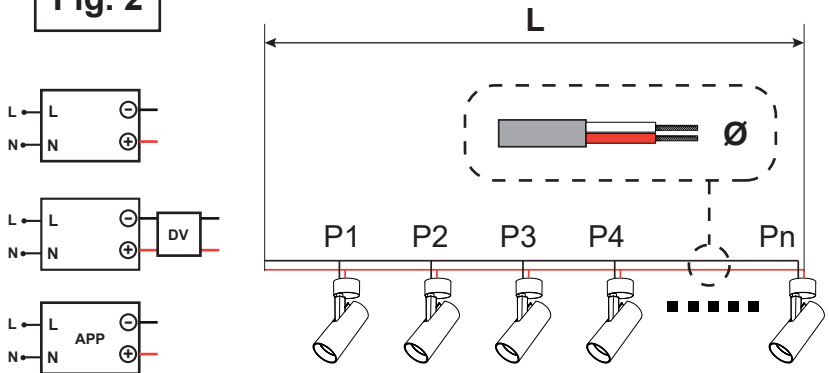
ND / DIM / APP	Pmax [W]	Max # V40	Max # V55	Ø [mm <sup>2</sup> ]	L [m]	Fig.
	130	14		1.5	2-25	1
			5	1.5	2-15	1
			5	2.5	2-25	1
	210	22		1.5	2-25	1
			8	1.5	2-15	1
			8	2.5	2-25	1
	Pmax [W]	Max # V40	Max # V55	Ø [mm <sup>2</sup> ]	L [m]	Fig.
	130	10		2.5	2-25	2
		14		4	2-15	2
14		6		2-25	2	
		3	2.5	2-25	2	
		5	4	2-15	2	
		5	6	2-25	2	
210	14		2.5	2-25	2	
	22		4	2-15	2	
	22		6	2-25	2	
		5	2.5	2-25	2	
		8	4	2-15	2	
		8	6	2-25	2	

**Fig. 1**



$$P1 + P2 + P3 + P4 + \dots + Pn \leq P \text{ Max}$$

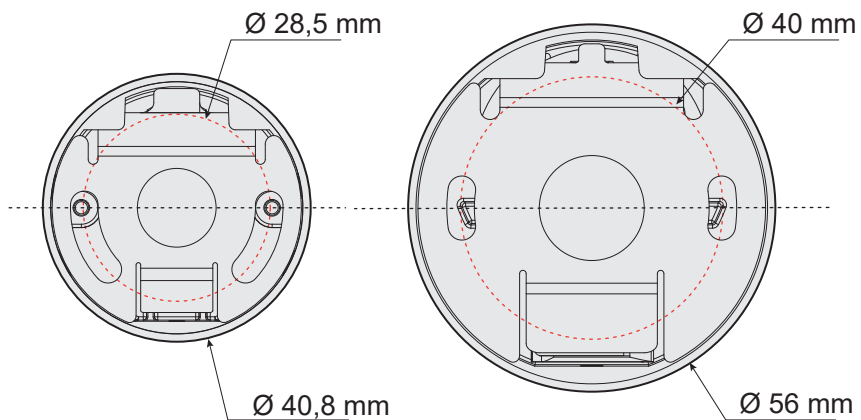
**Fig. 2**



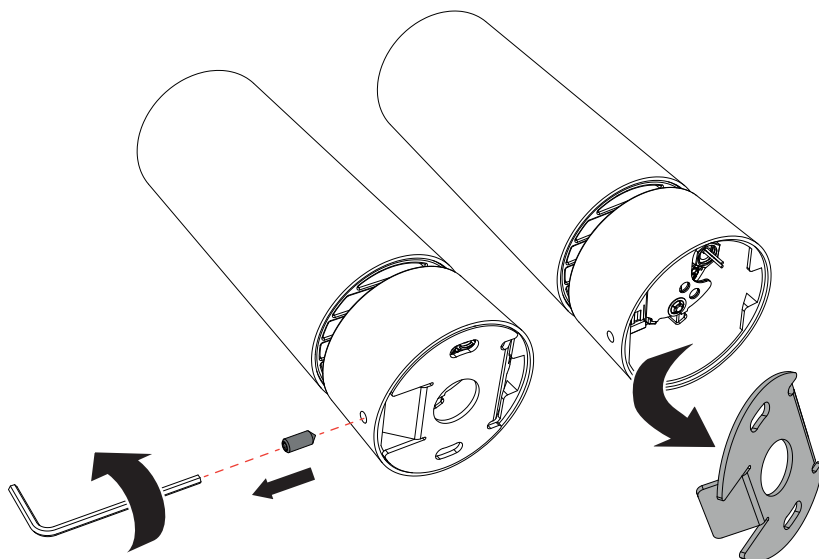
1

VECTOR 40

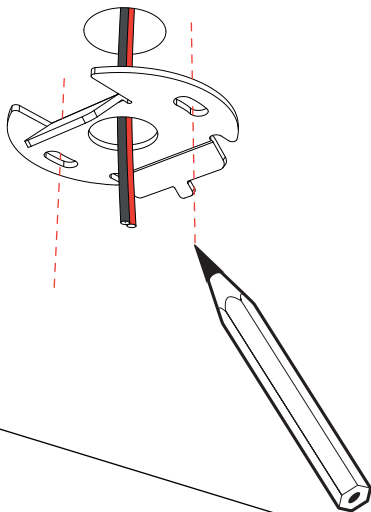
VECTOR 55



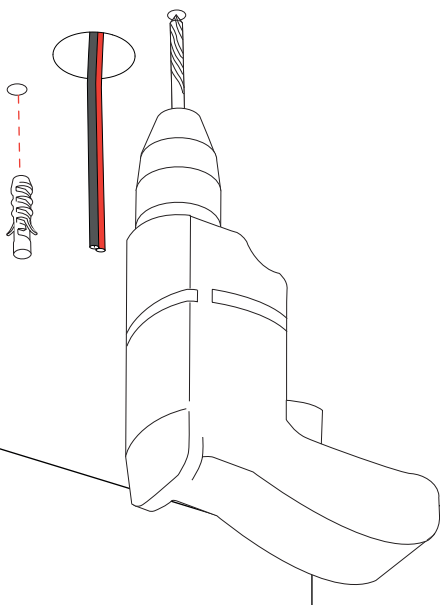
2



3

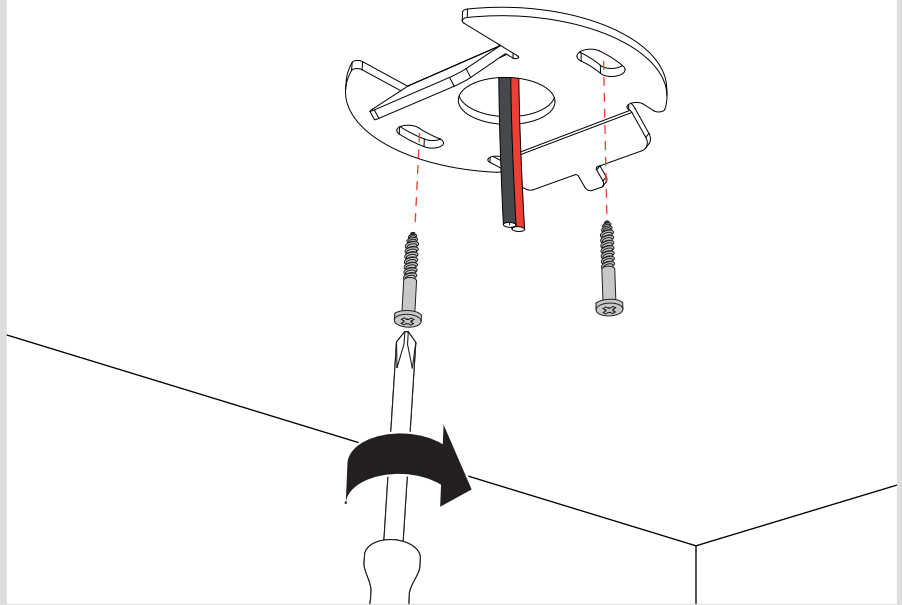


4

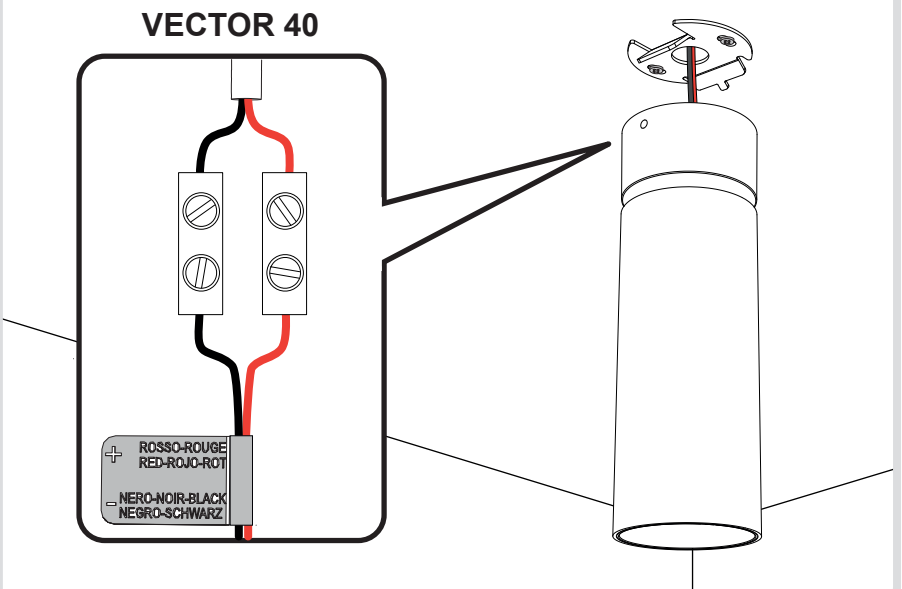




5

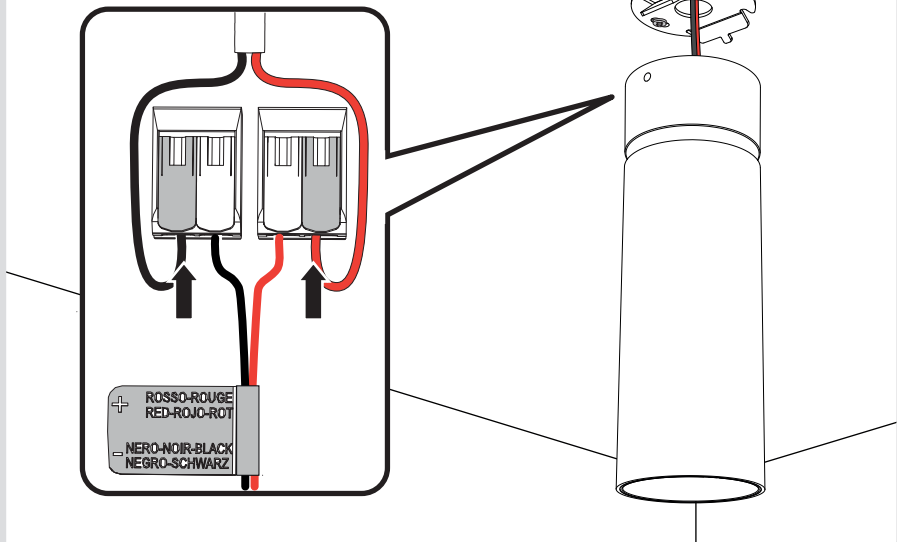


6a

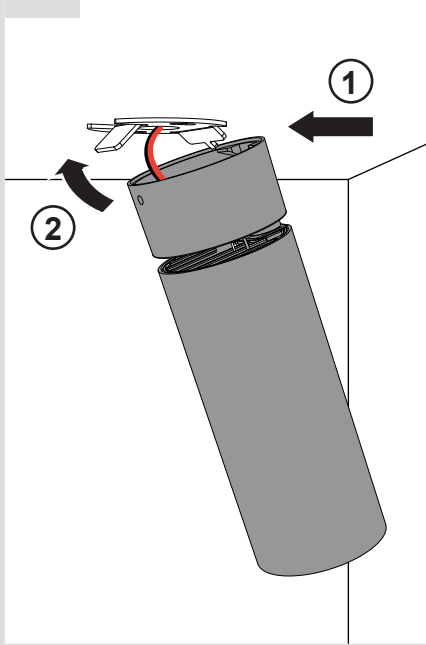


6b

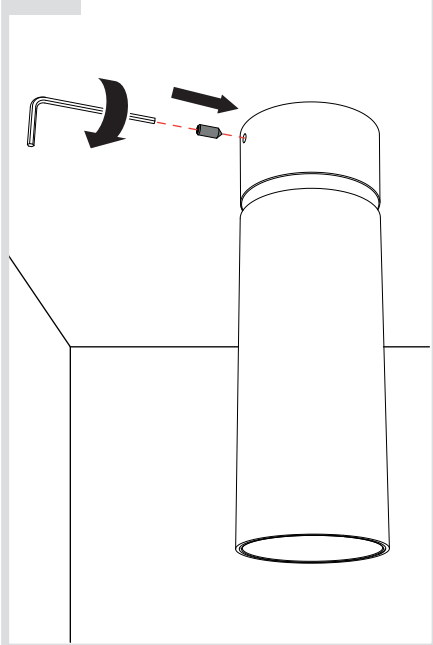
### VECTOR 55



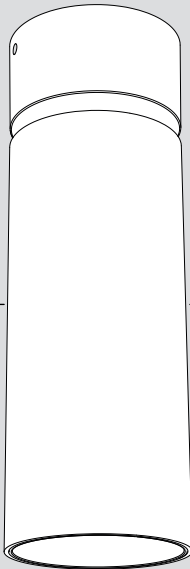
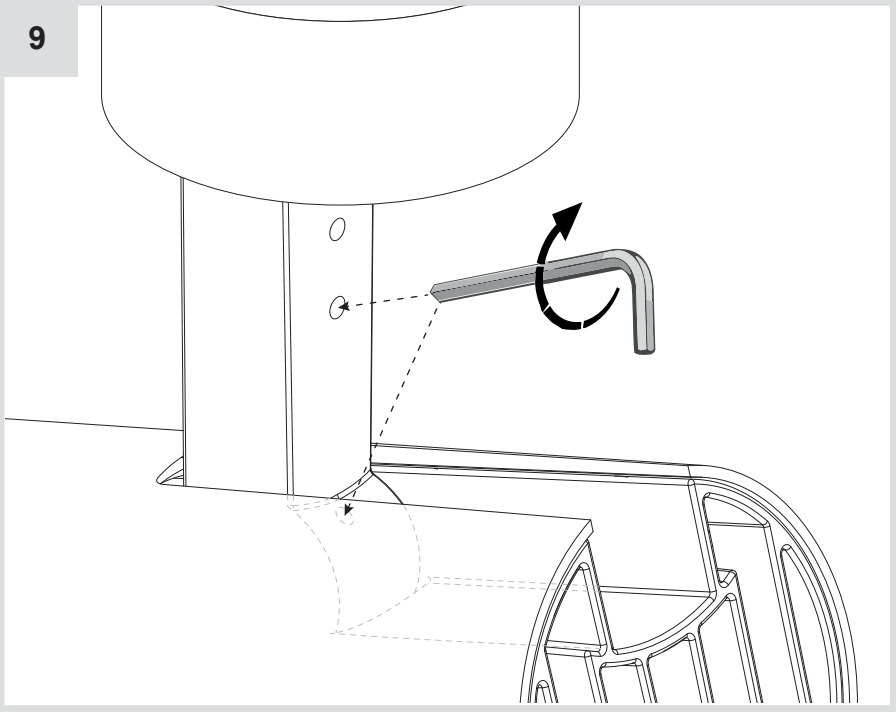
7



8

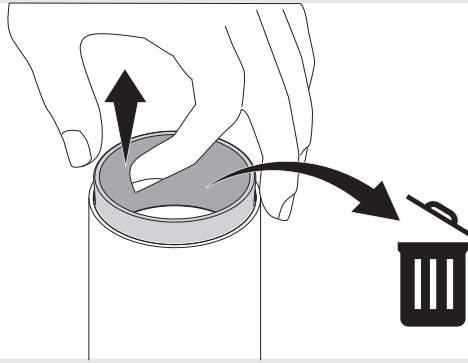


9



# VECTOR 40 ACCESSORIES

1



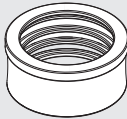
i



AP9X100



+



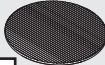
A

AP9X300



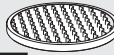
B

AP9X200



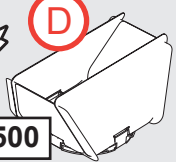
C

AP9X400



D

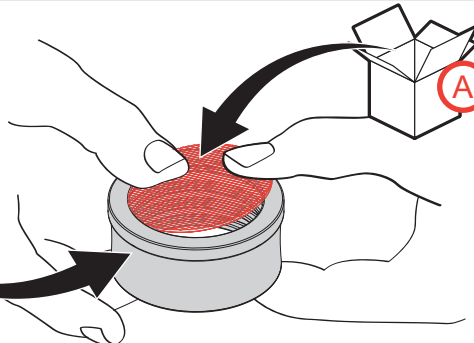
AP9X500



2



AP9X100



A B C D

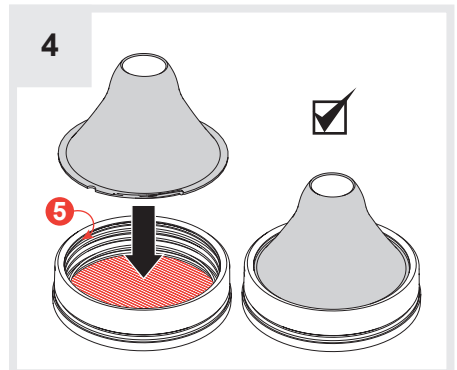
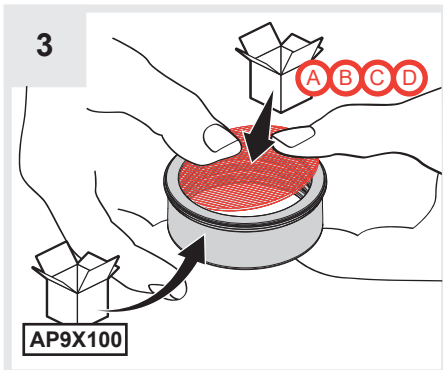
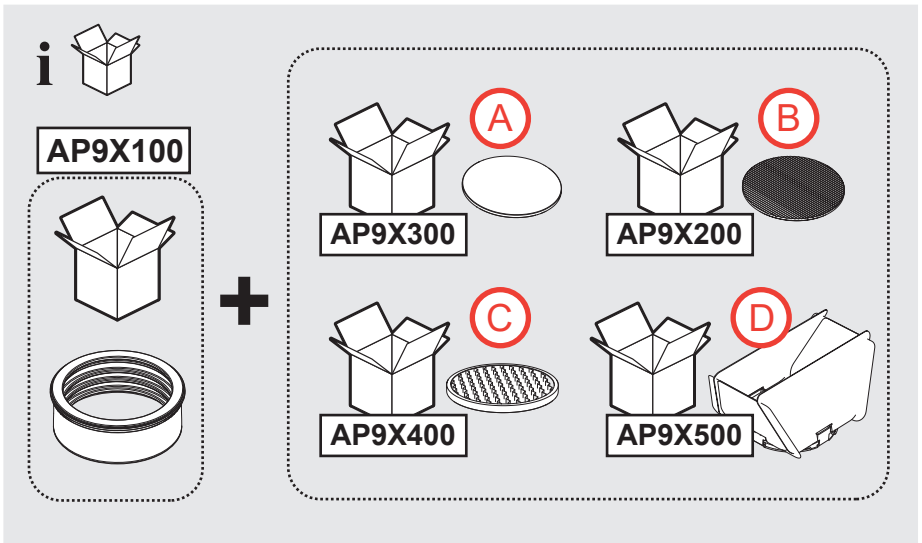
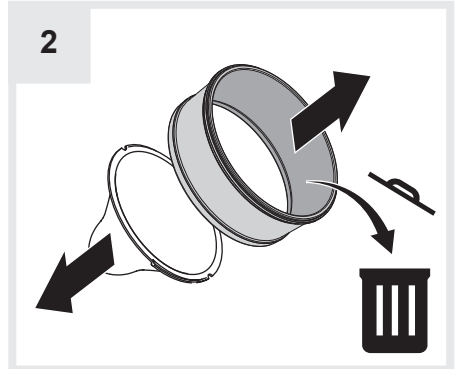
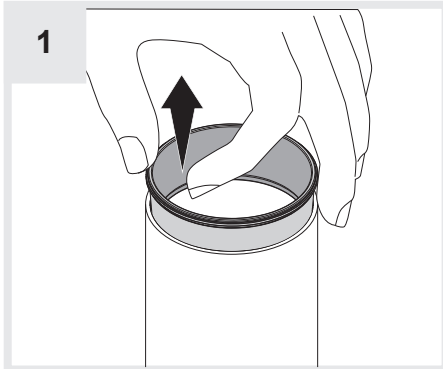
# VECTOR 40 ACCESSORIES

**i**

	A	B	C	D
1				•
2	•	•	•	
3	•	•		
4	•	•		


**3**

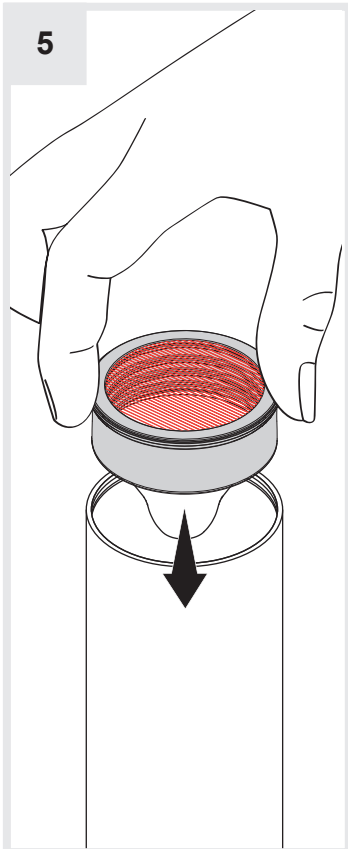
# VECTOR 55 ACCESSORIES



# VECTOR 55 ACCESSORIES

**i**

	A	B	C	D	
1				•	
2	•	•	•		
3	•	•			
4	•	•			
5					•



**Artemide®**



**Artemide**

via Bergamo, 18  
20006 Pregnana M.se (MI)  
ITALIA

tel. +39 02 935 181  
fax +39 02 935 90 254  
fax +39 02 935 90 496

[www.artemide.com](http://www.artemide.com)

VAT IT00846890150

cod. Y513001420F