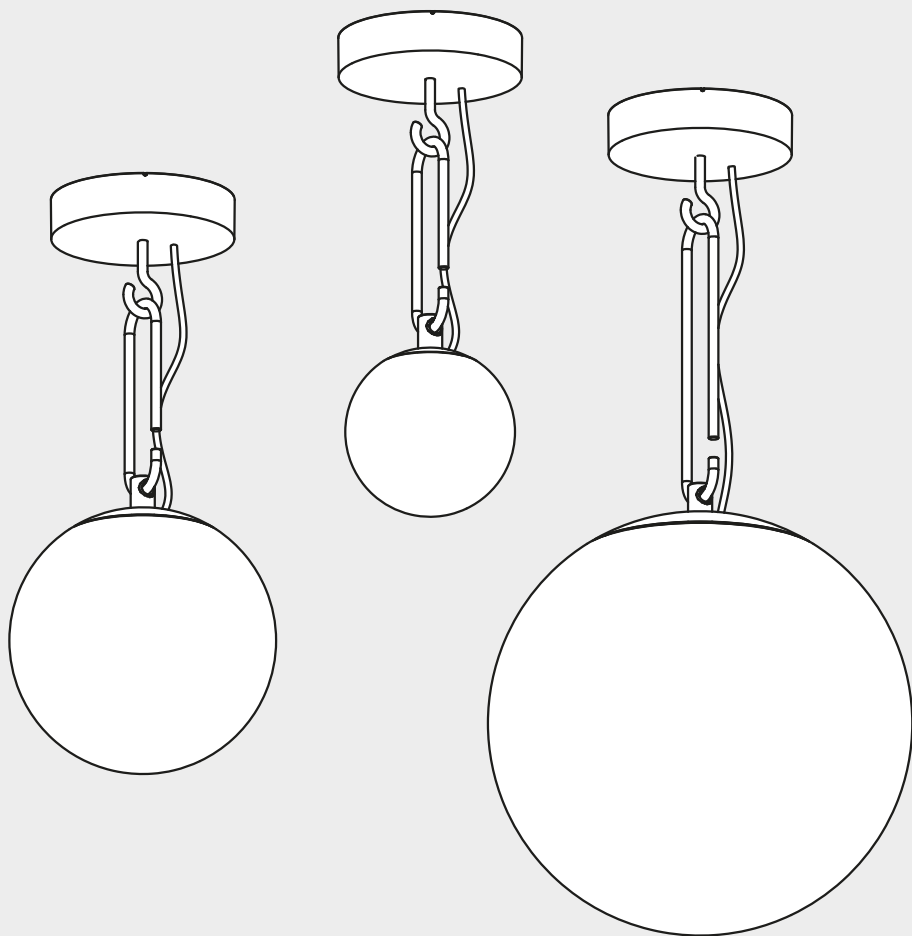


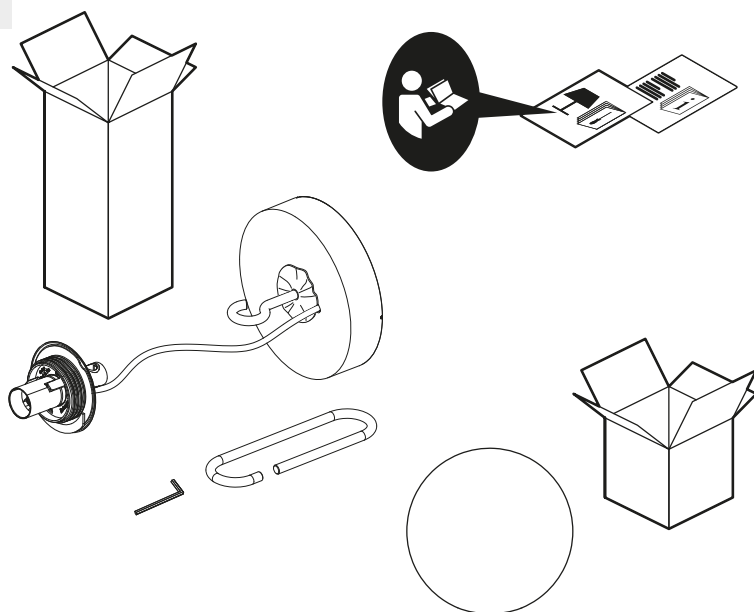
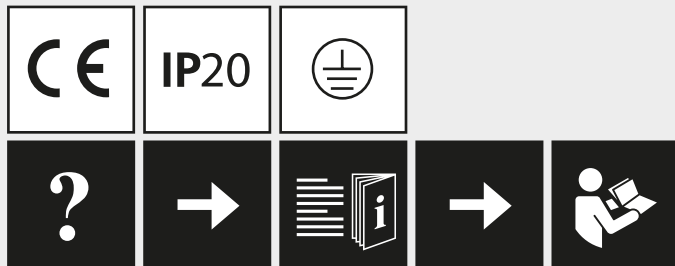
nh 14 / 22 / 35 ceiling

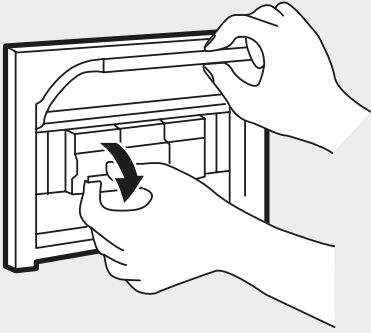
design
Neri & Hu



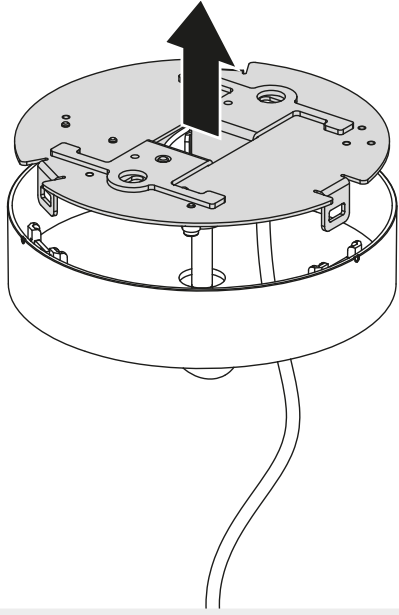


i

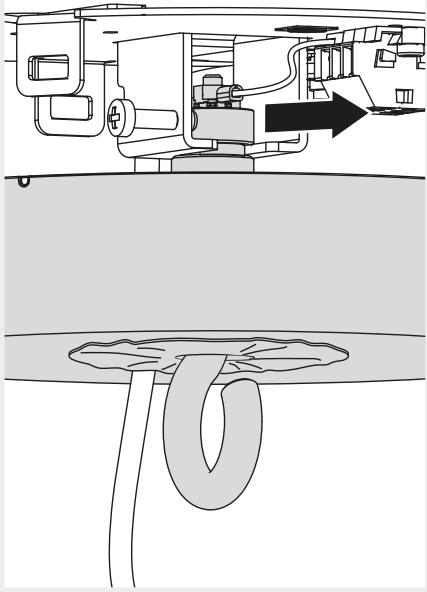




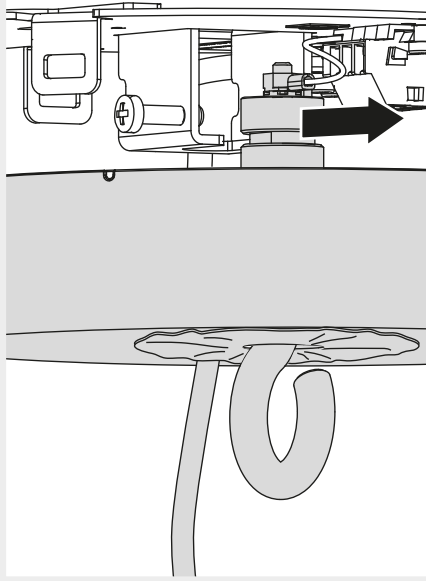
1



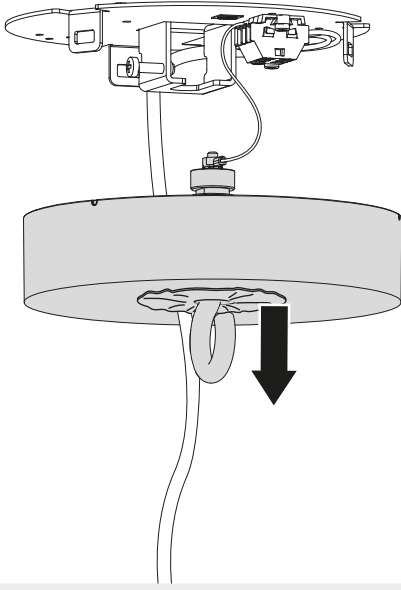
2



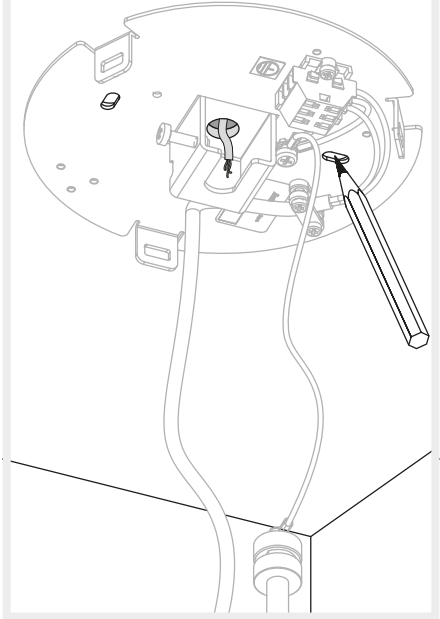
3



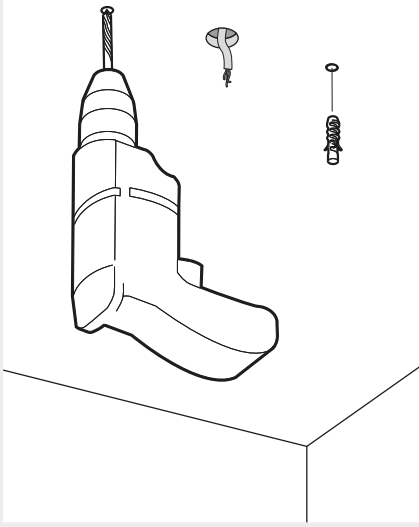
4



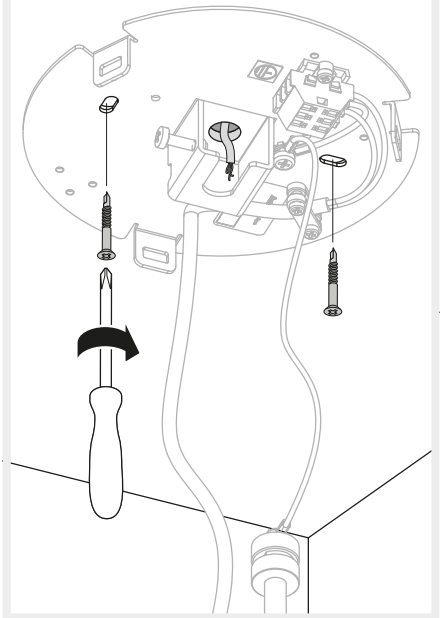
5

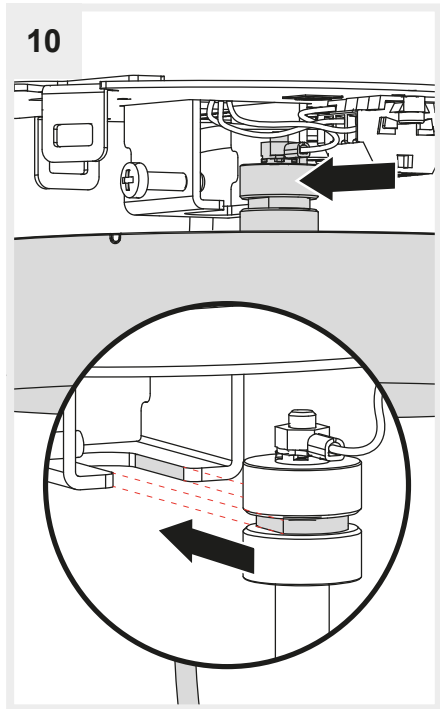
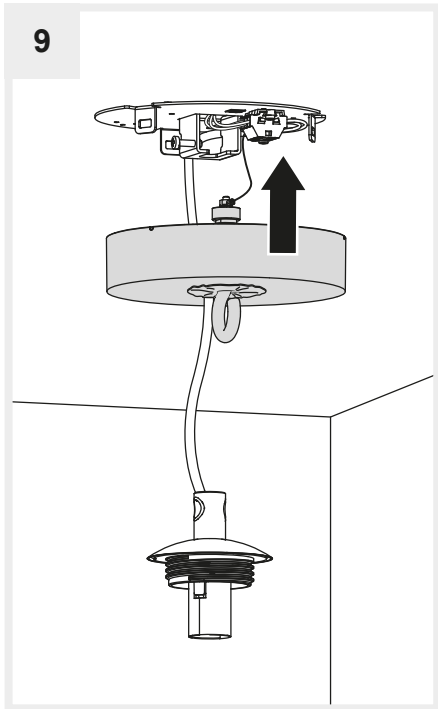
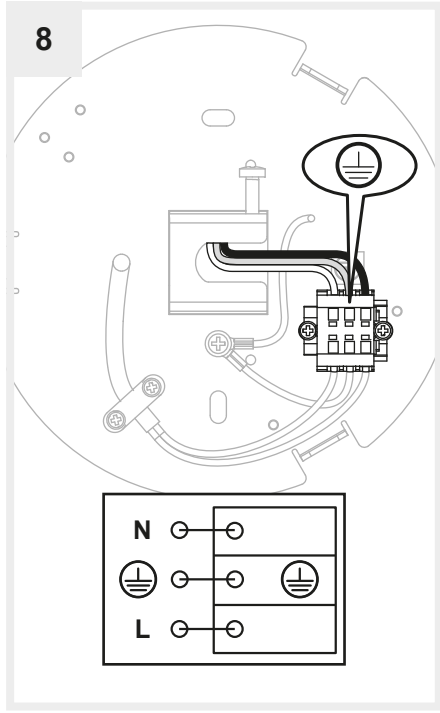
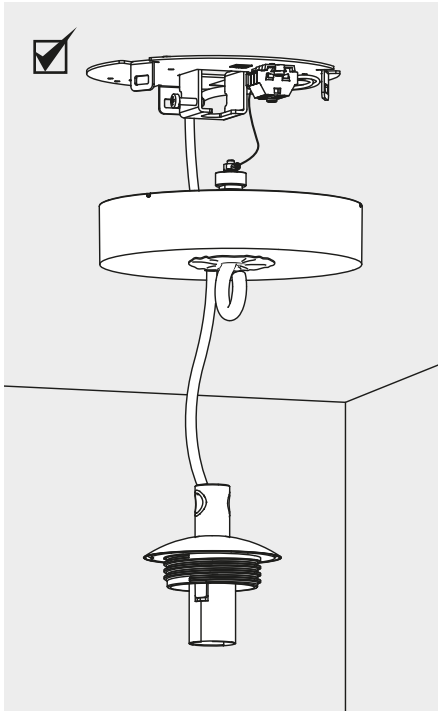


6

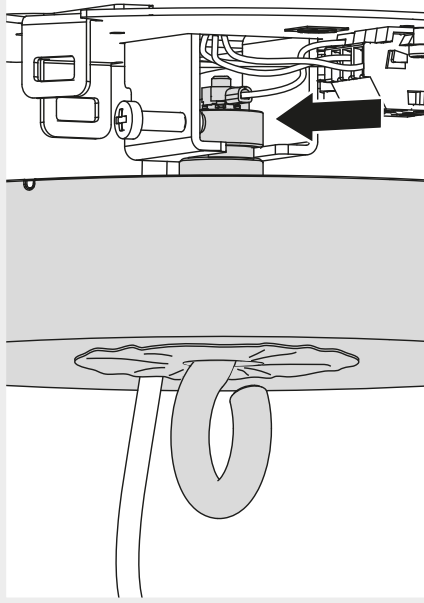


7

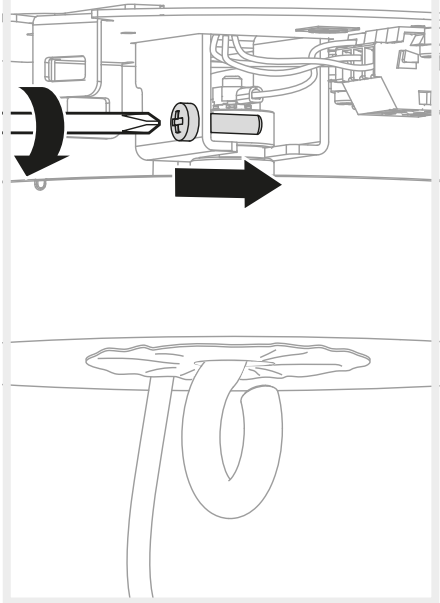




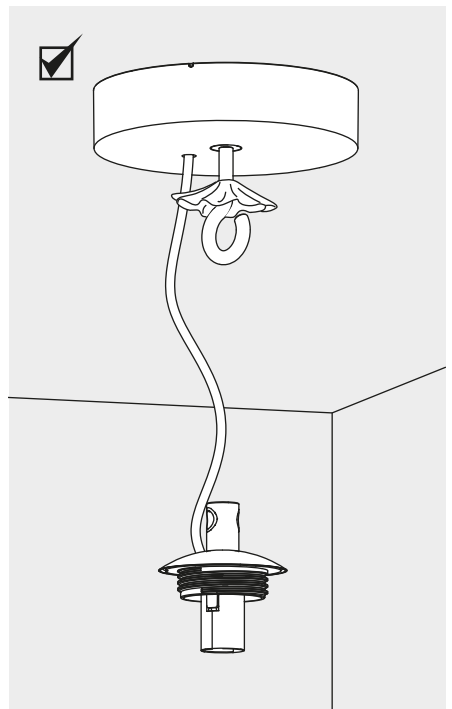
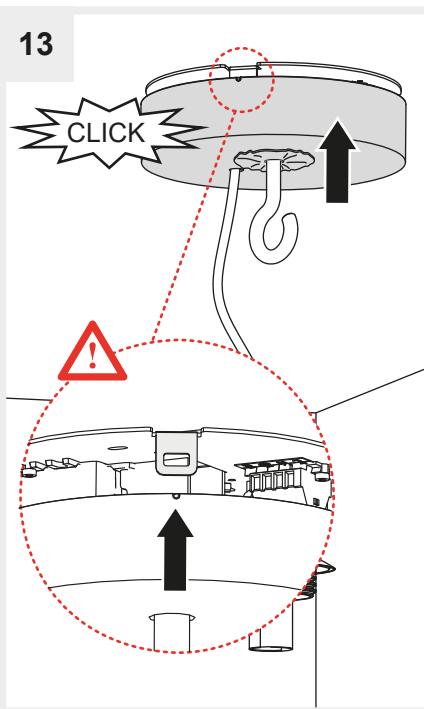
11



12

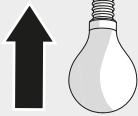
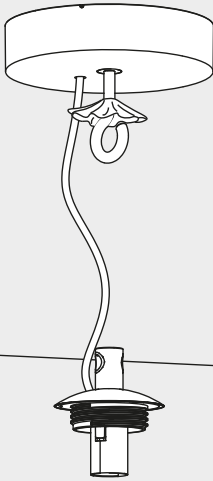


13

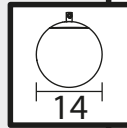




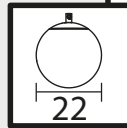
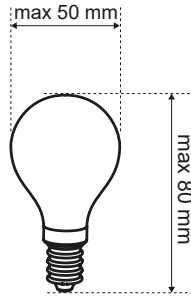
i



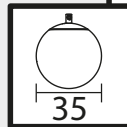
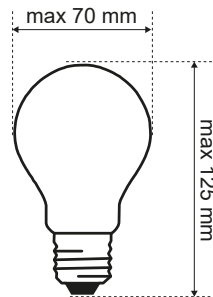
- 
LED
- 
HALO
- 
HALO
- 
FLUO



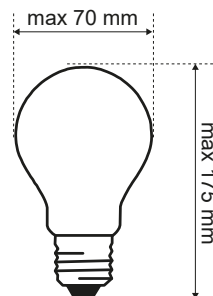
E14 - MAX 5W LED



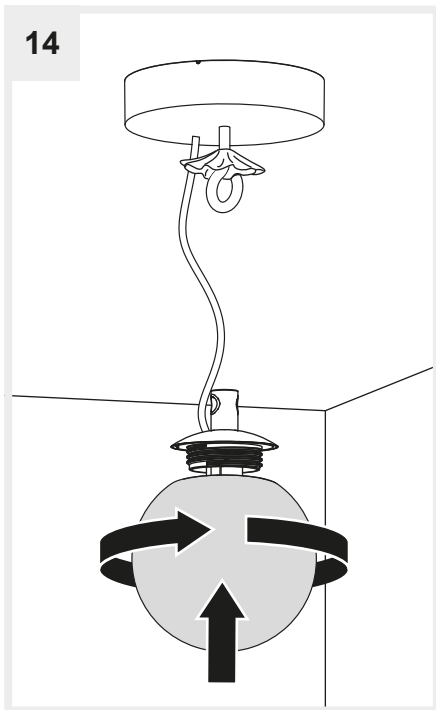
E27 - MAX 15W LED



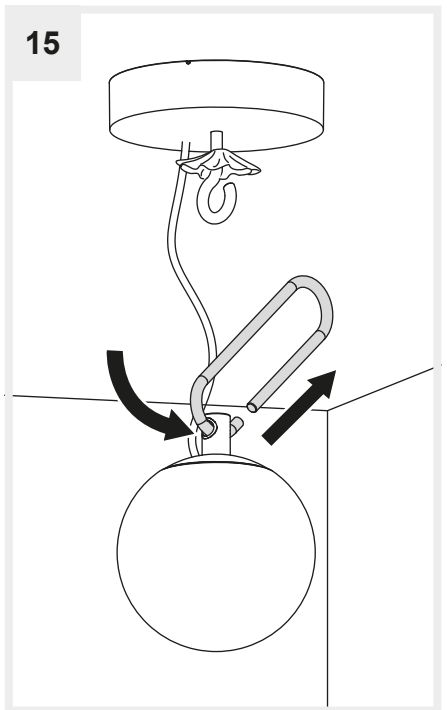
E27 - MAX 20W LED



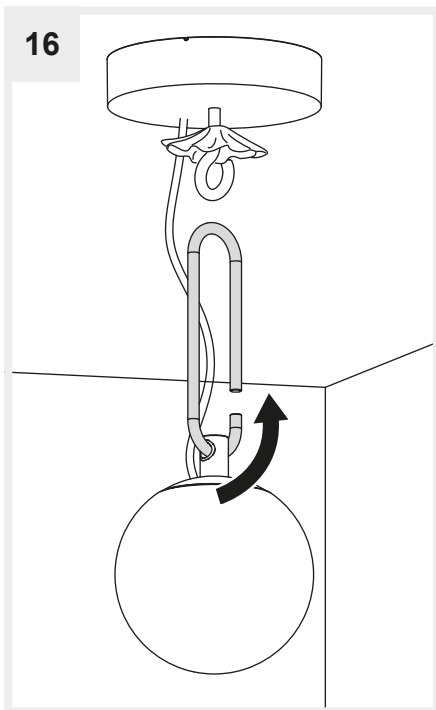
14



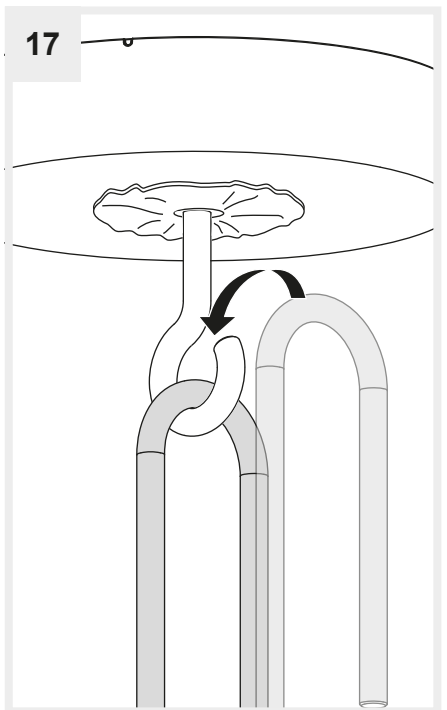
15



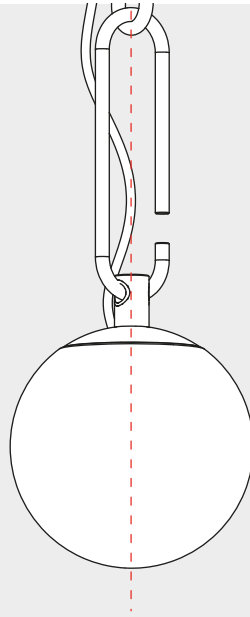
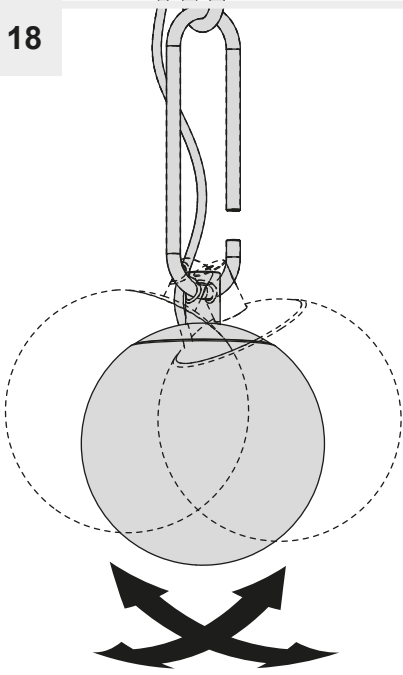
16



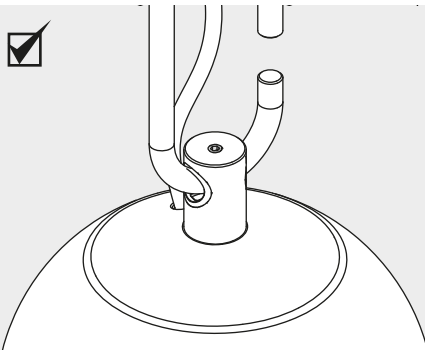
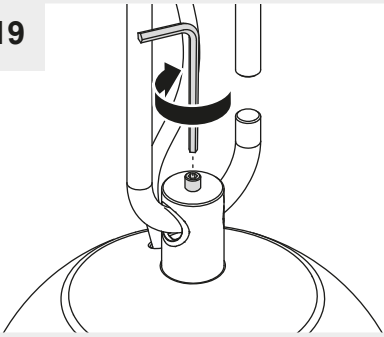
17



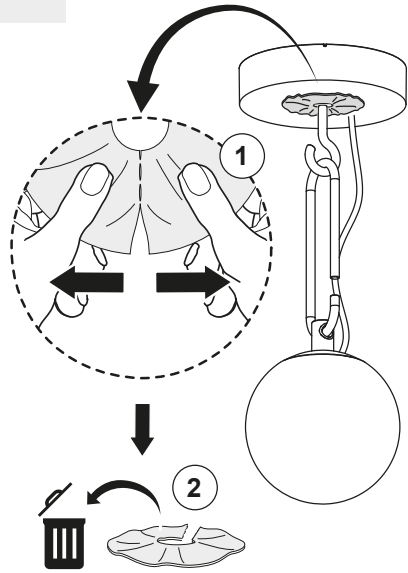
18

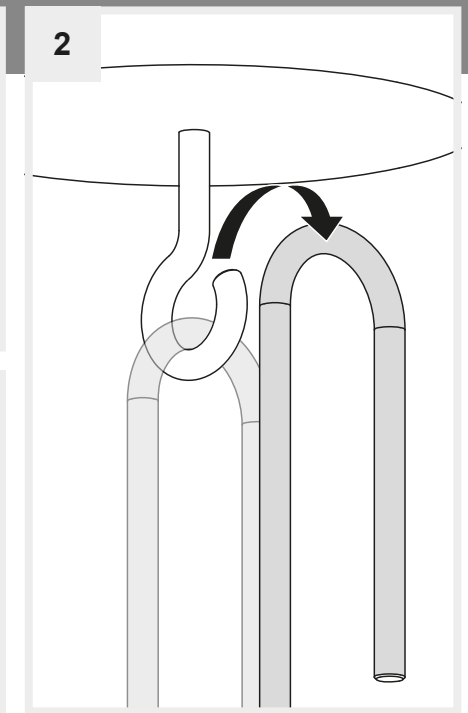
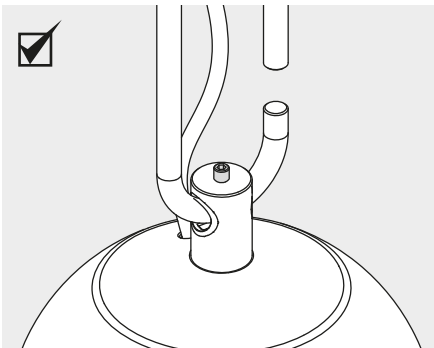
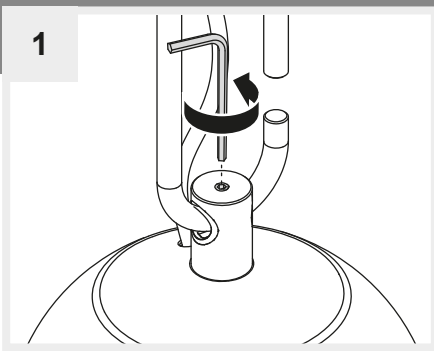
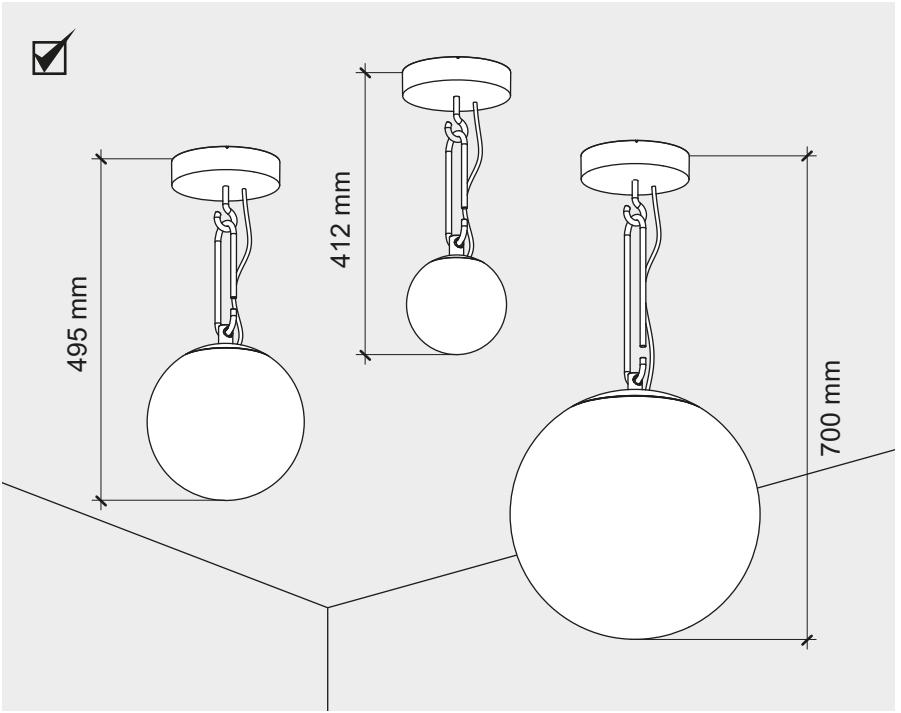


19

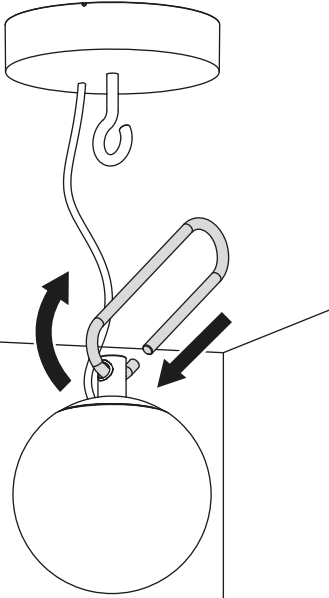


20

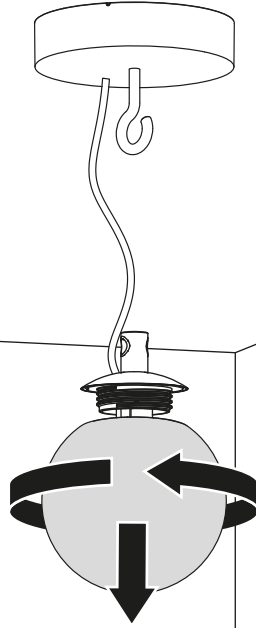




3



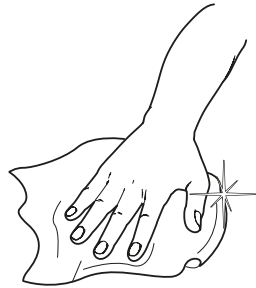
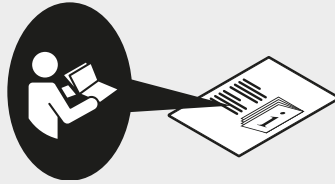
4



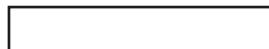
14



19



Artemide®



Artemide

via Bergamo, 18
20010 Pregnana M.se (MI)
ITALIA

tel. +39 02 935 181
fax +39 02 935 90 254
fax +39 02 935 90 496

www.artemide.com

VAT IT00846890150

cod. Y513001521