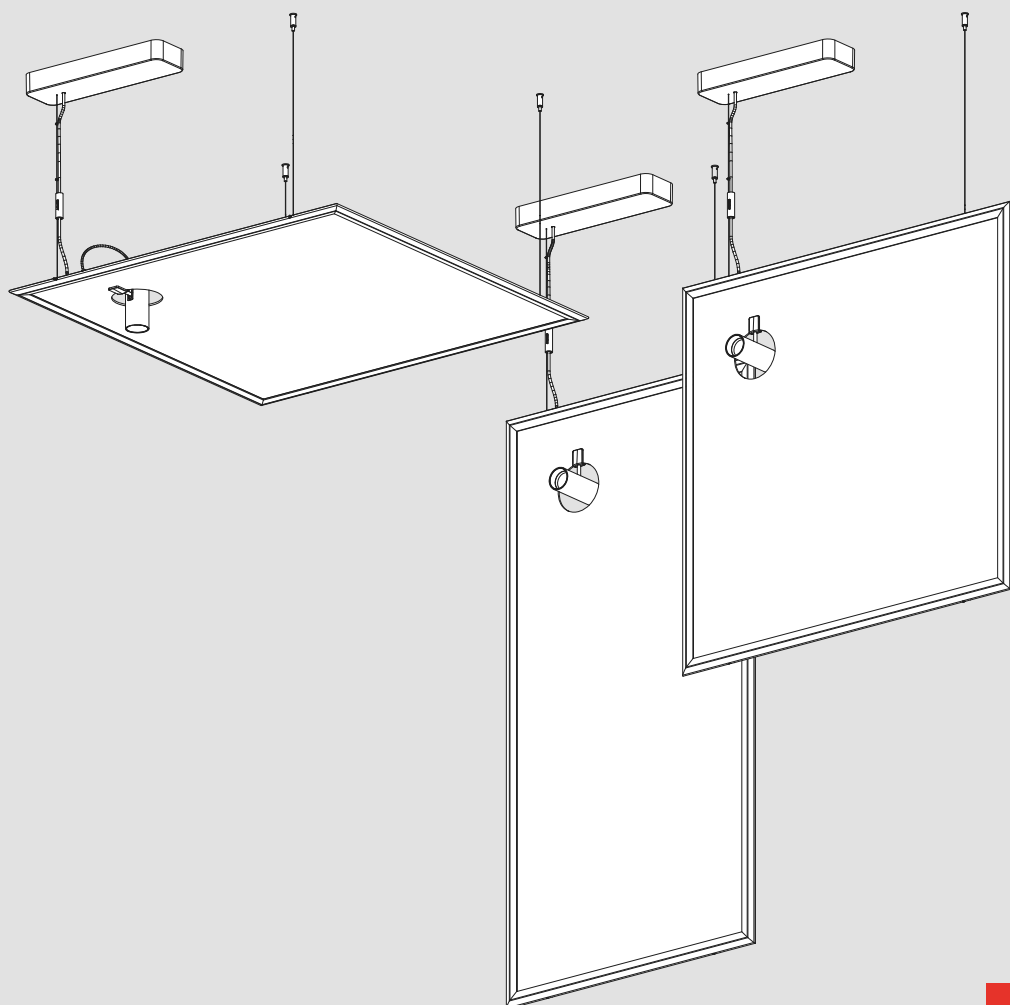


Artemide®

DISCOVERY SPOT TW

design
E. Gismondi

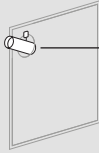




i

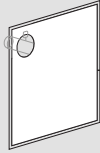


SPOT

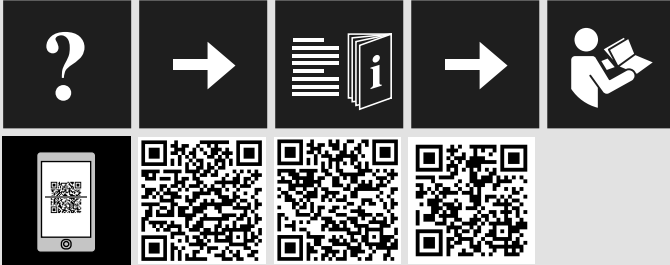


LED 1

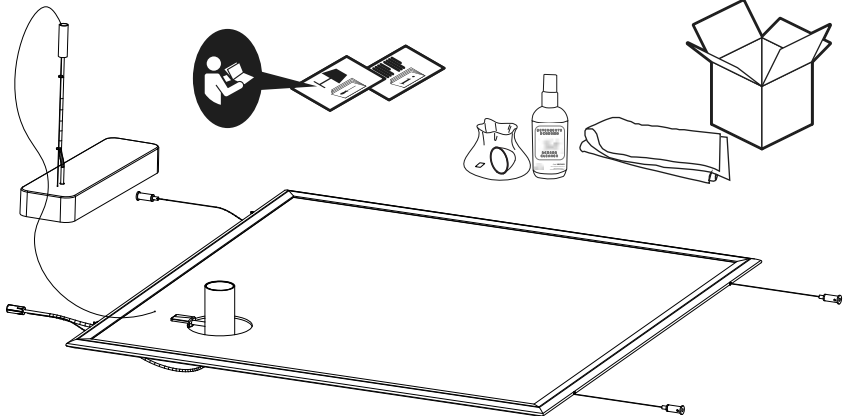
DISCOVERY



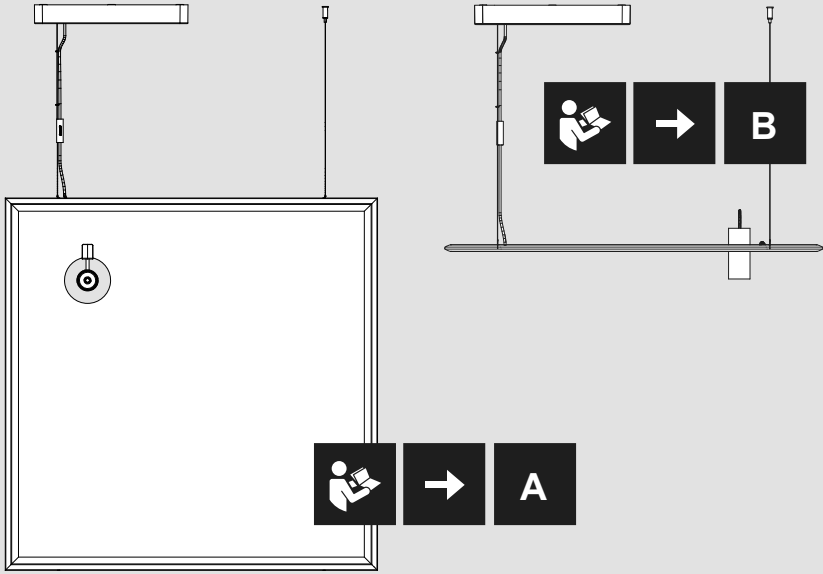
LED 0



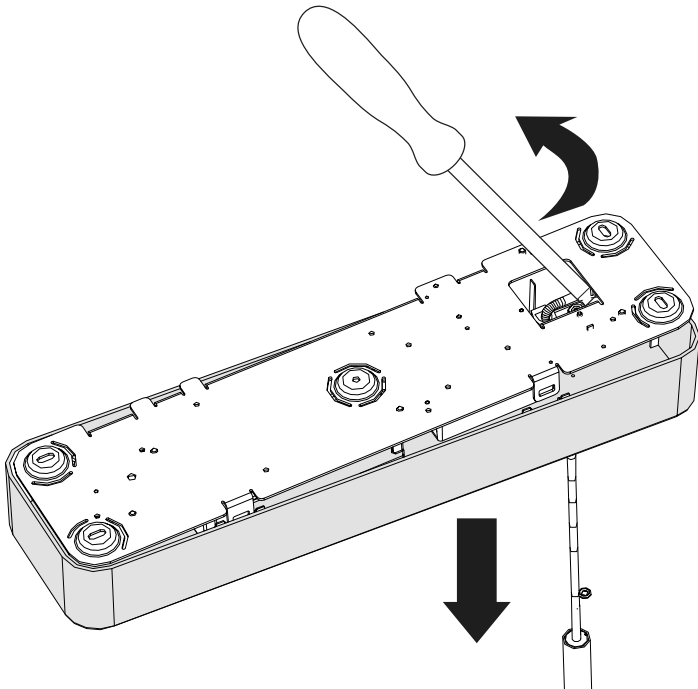
Artemide App
Starting Guide

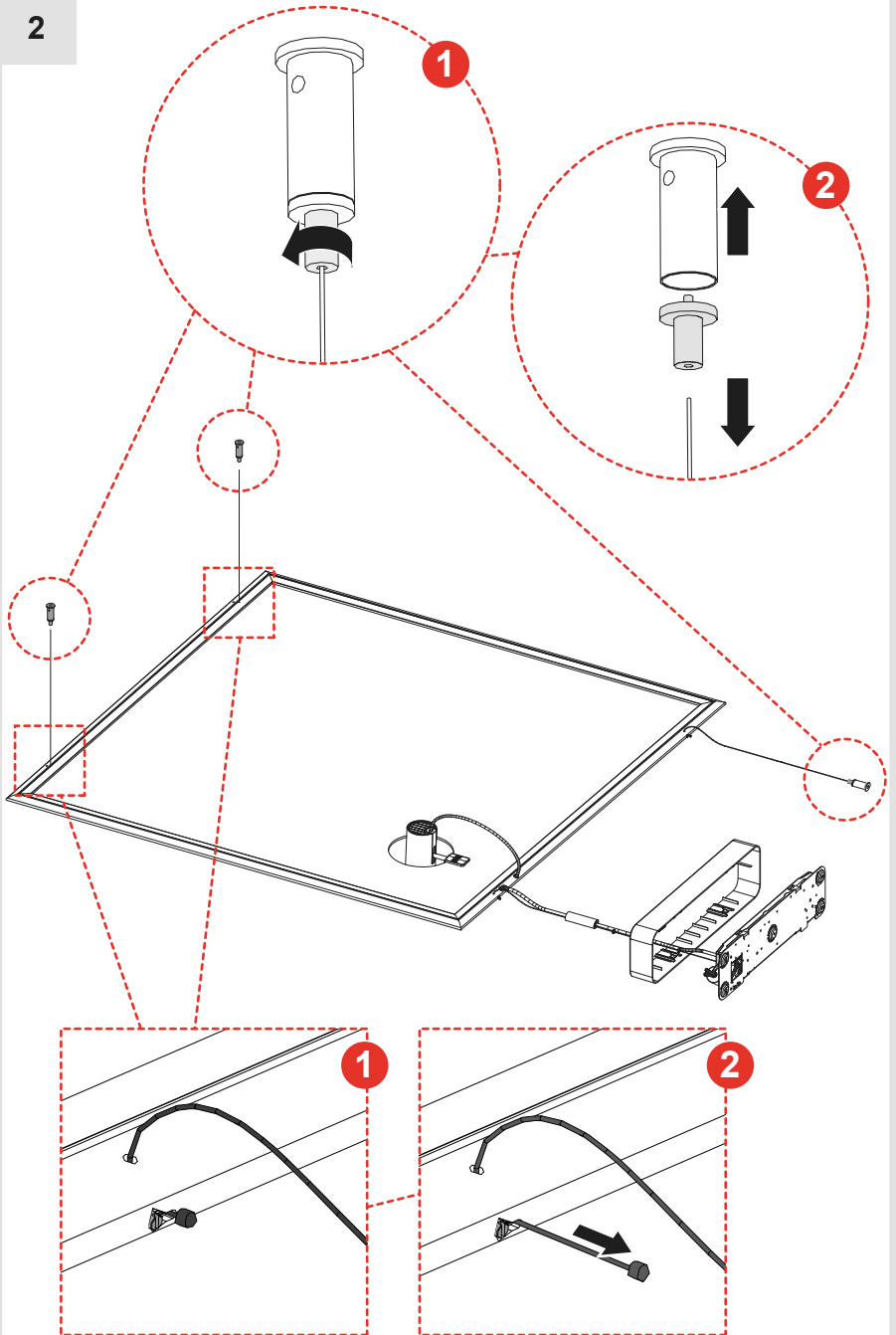


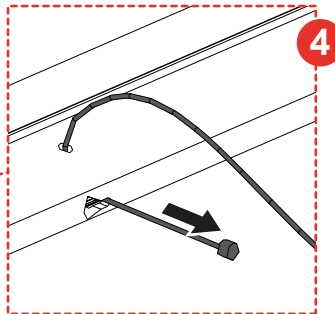
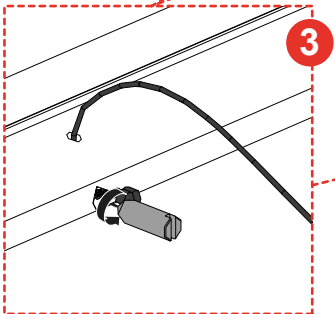
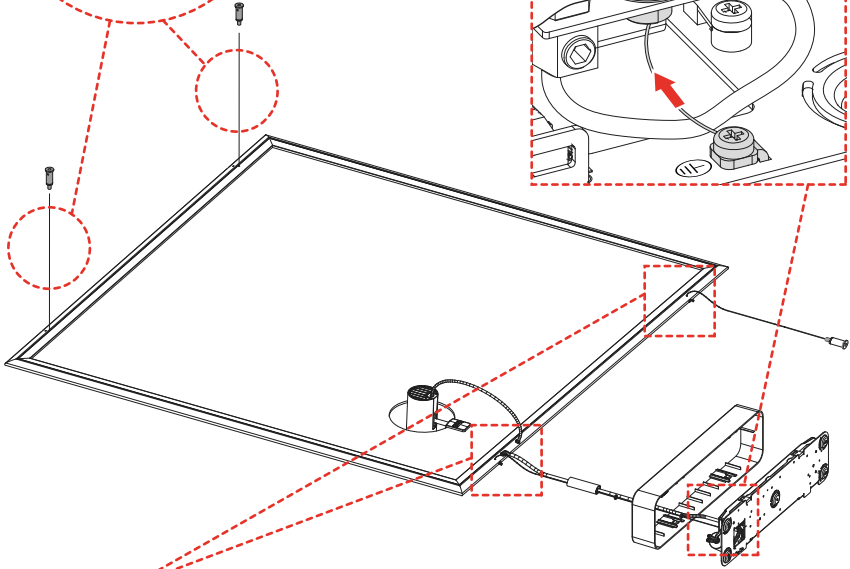
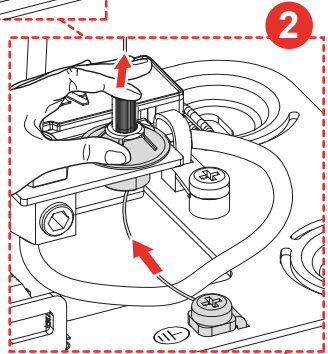
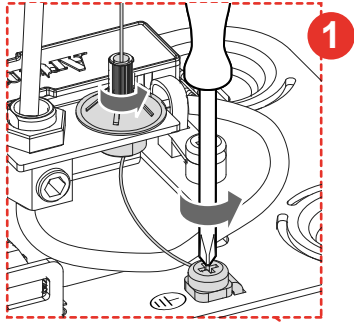
i

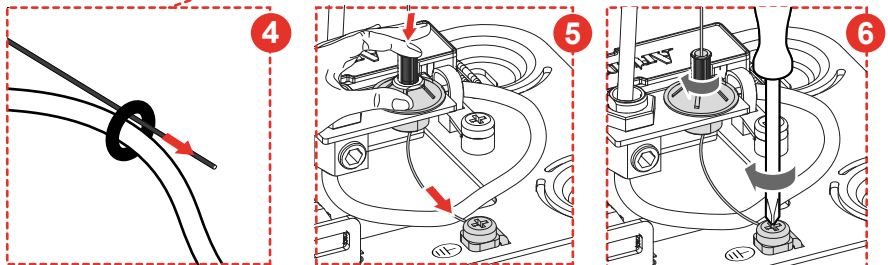
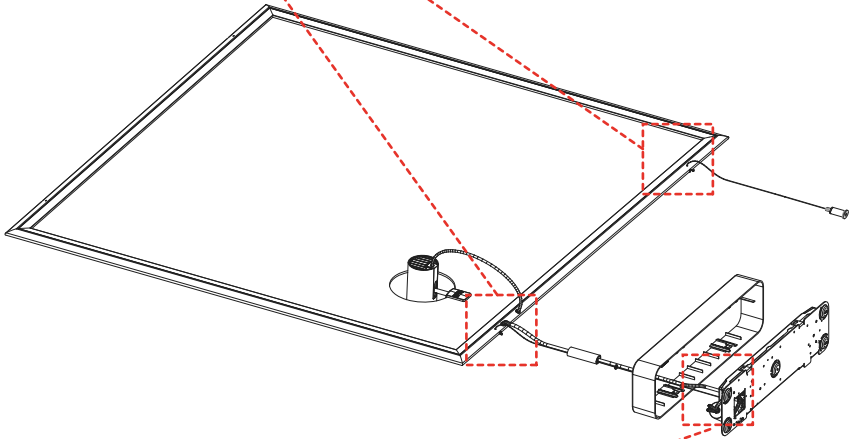
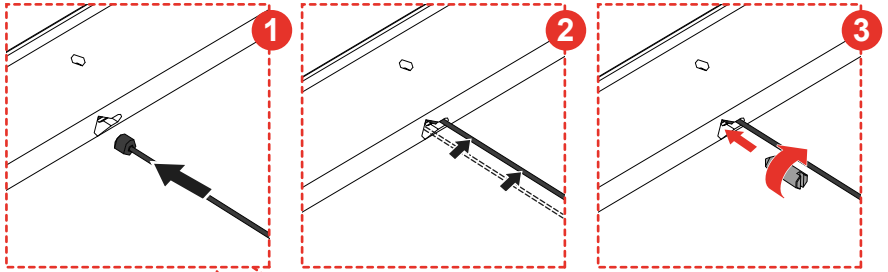


1

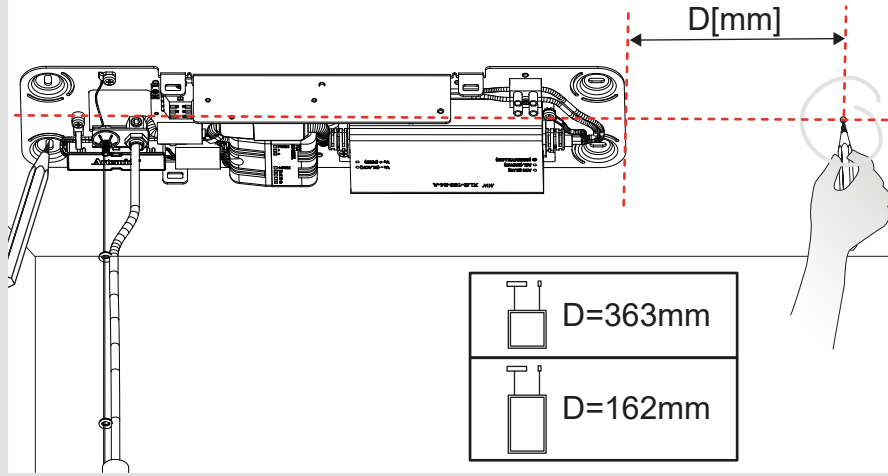




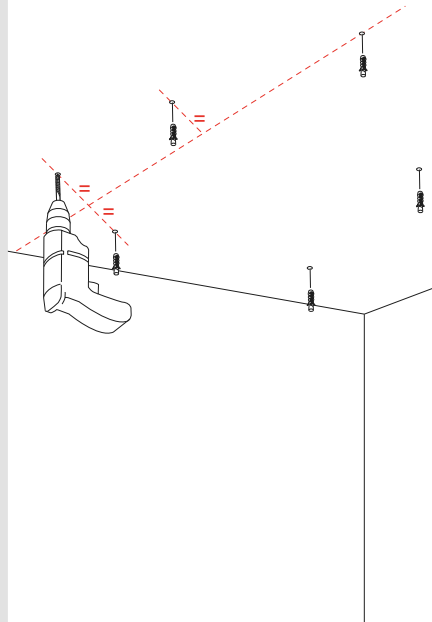




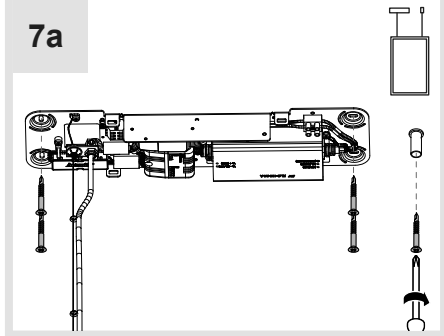
5



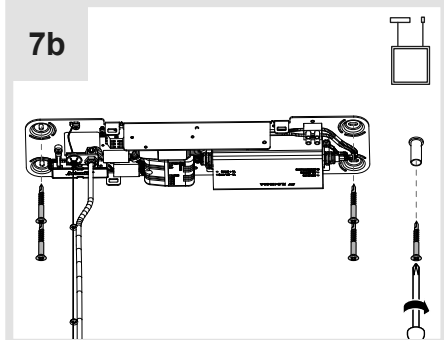
6

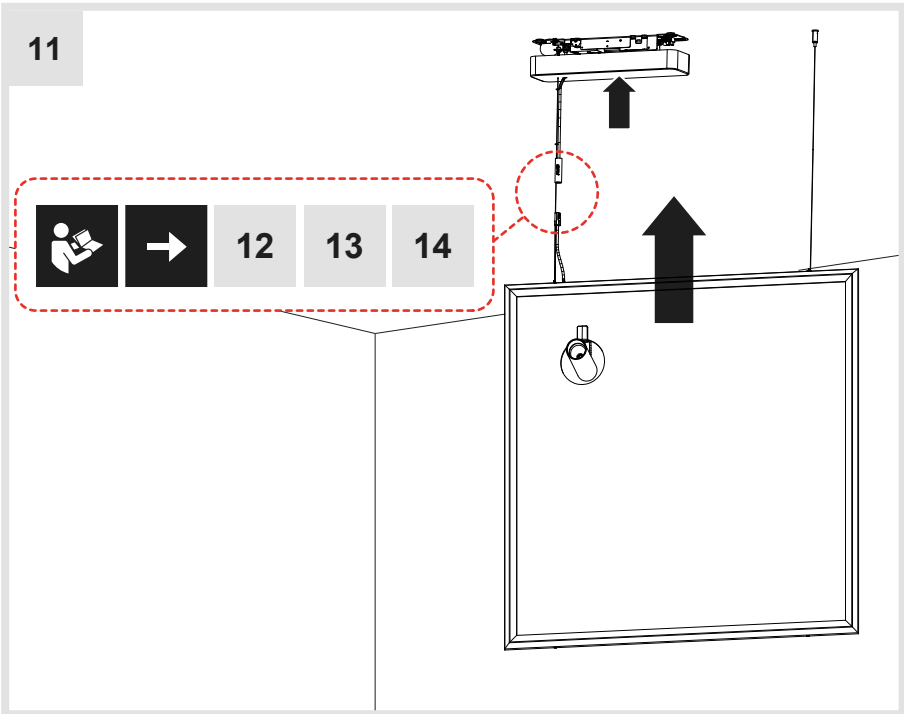
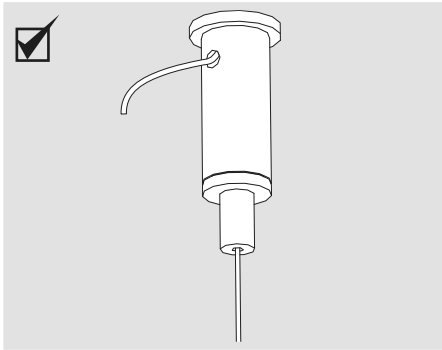
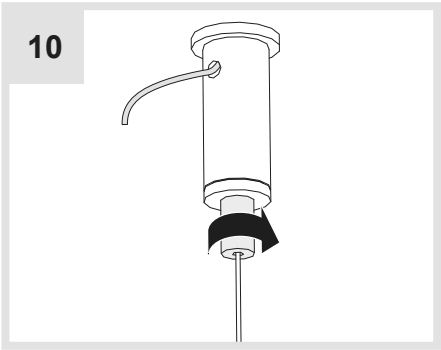
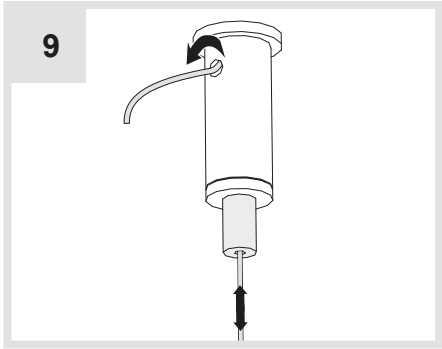
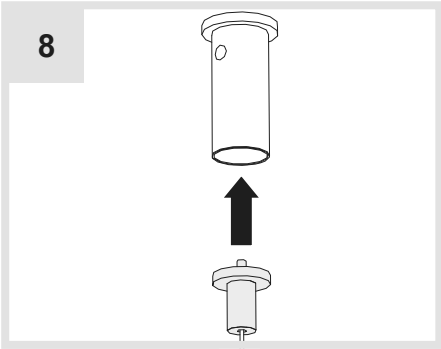


7a

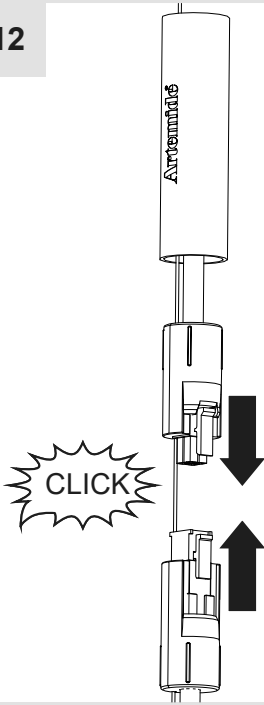


7b

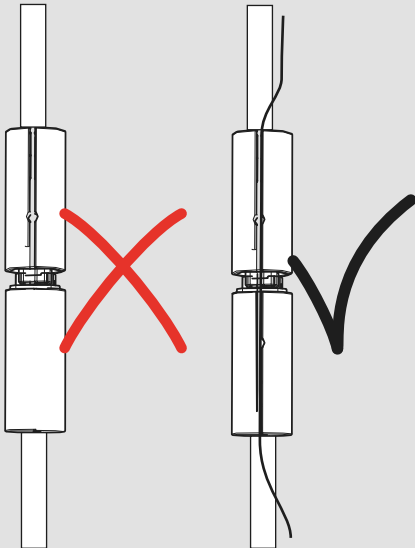
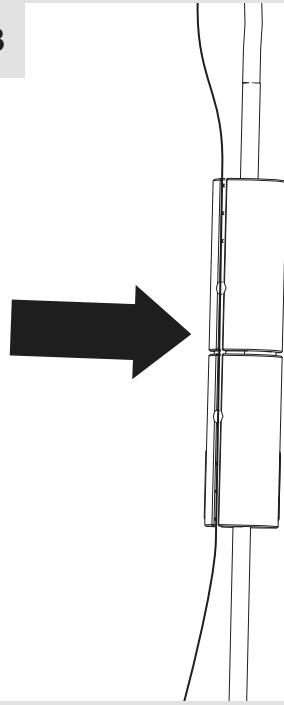




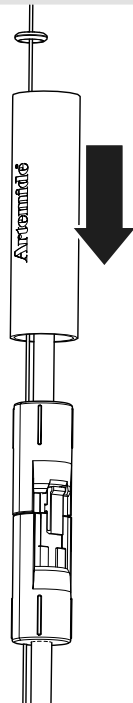
12



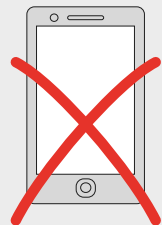
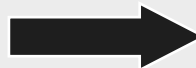
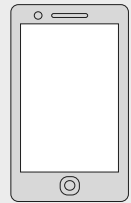
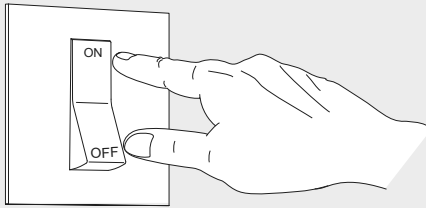
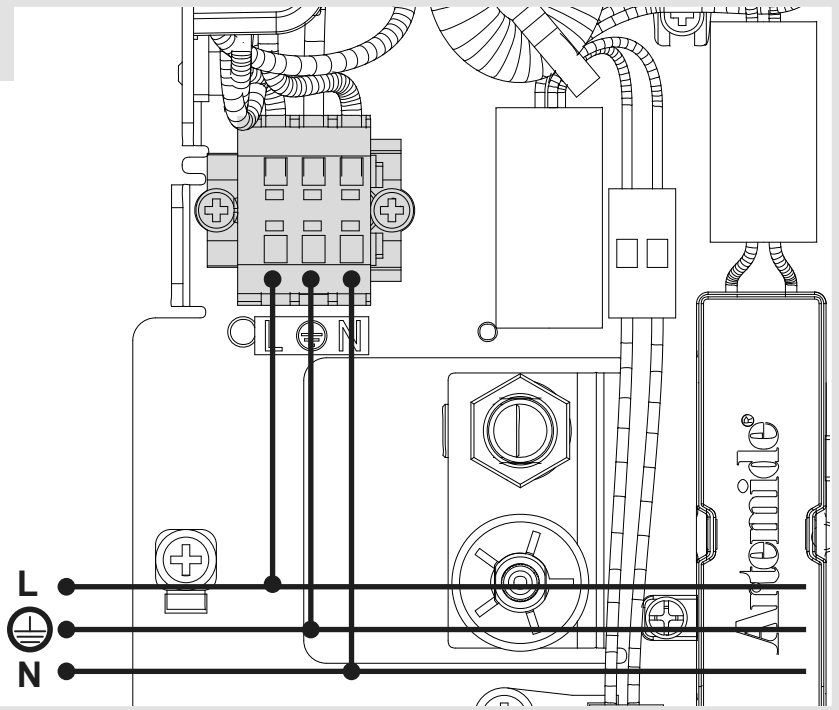
13



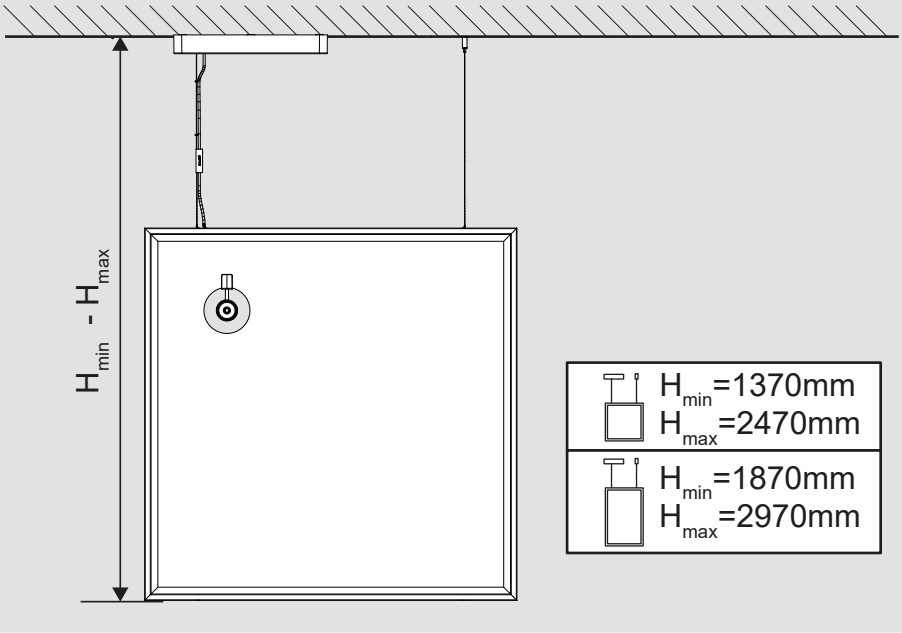
14



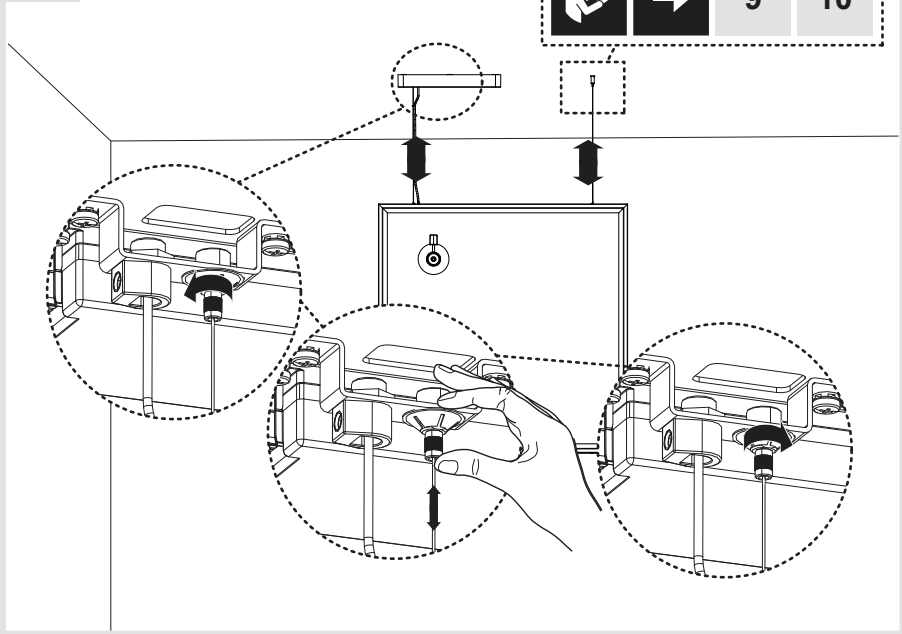
15

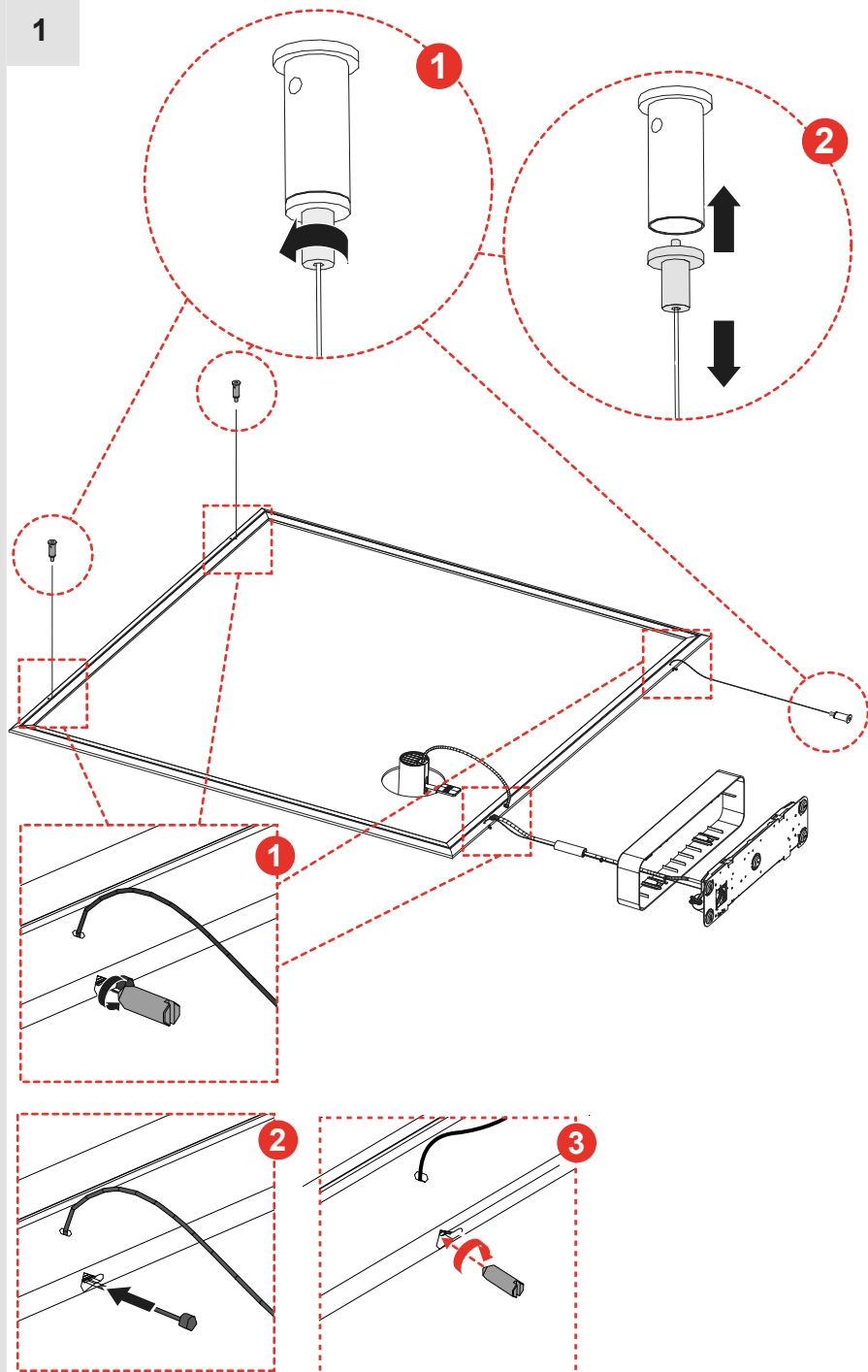



i

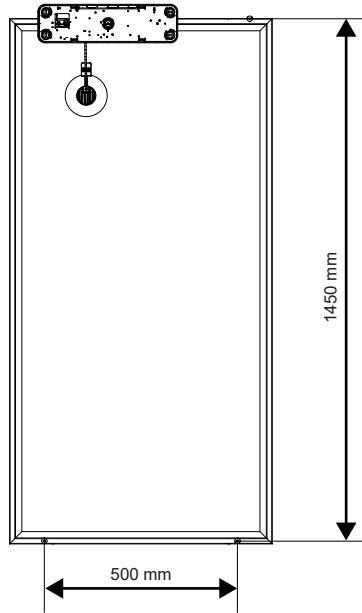
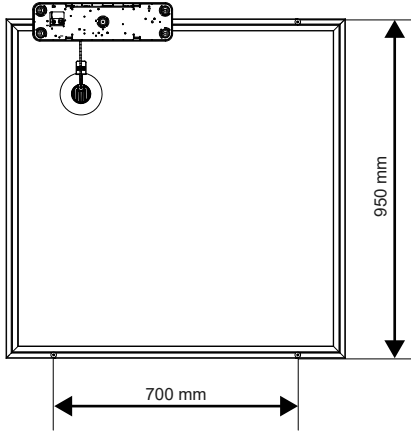
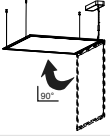


16

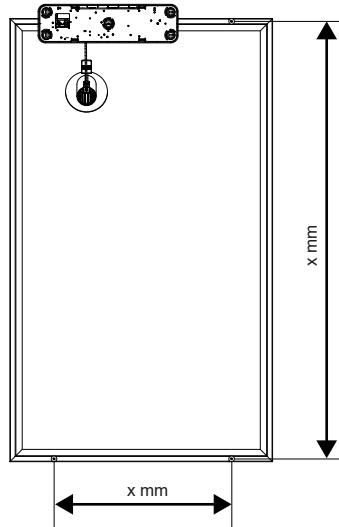
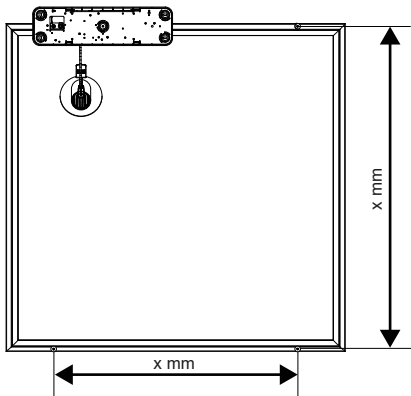
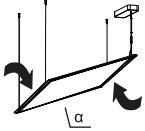




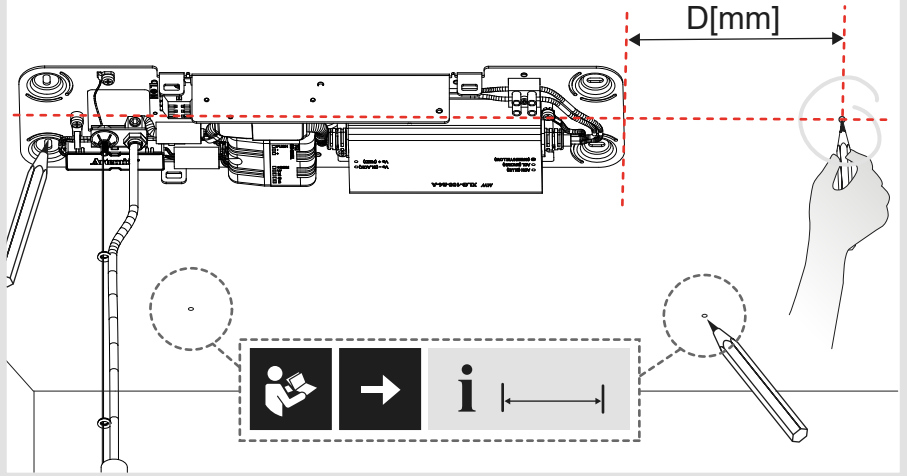
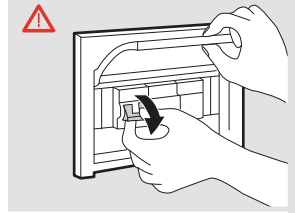
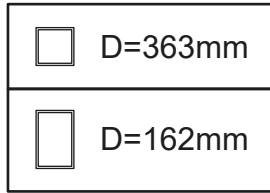
i 



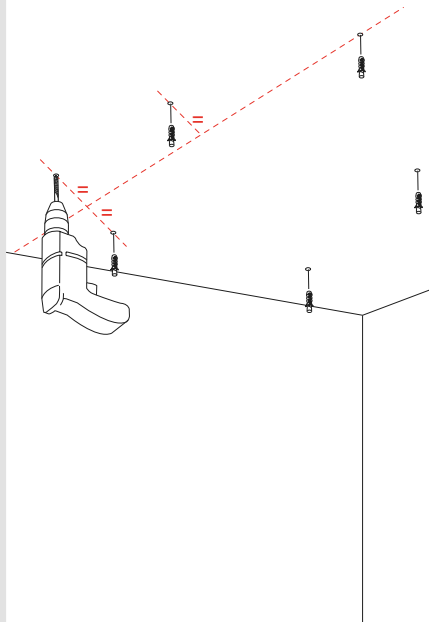
i 



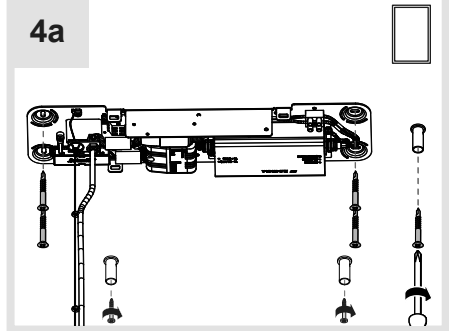
2



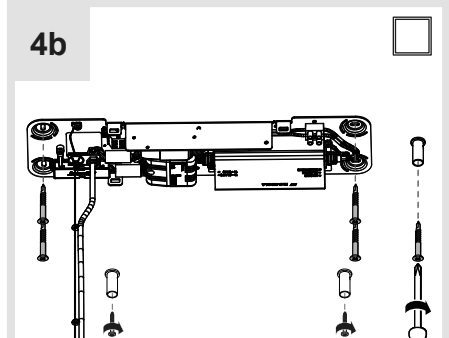
3

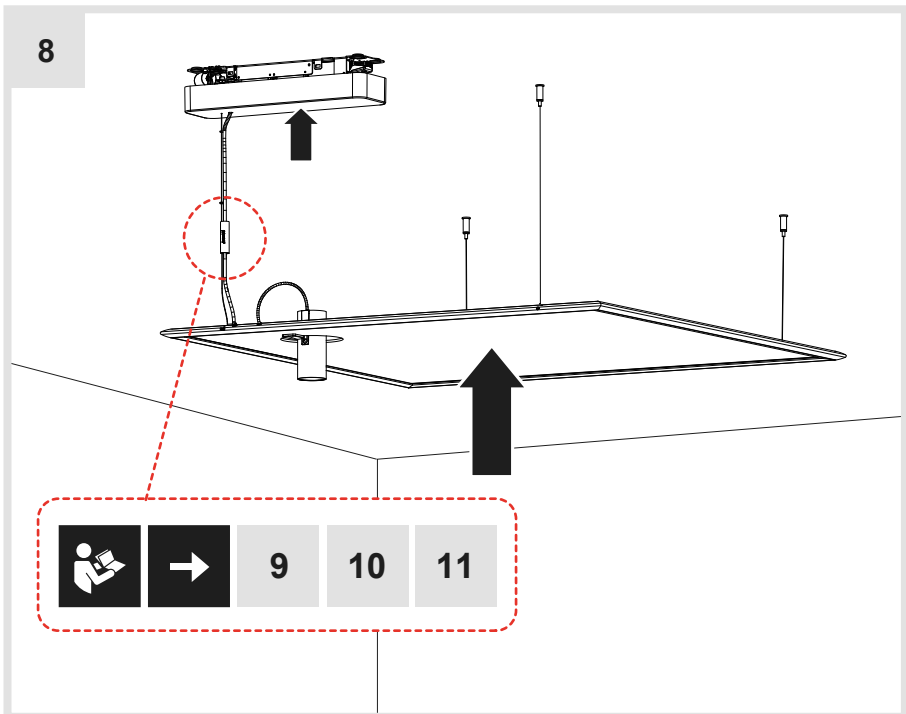
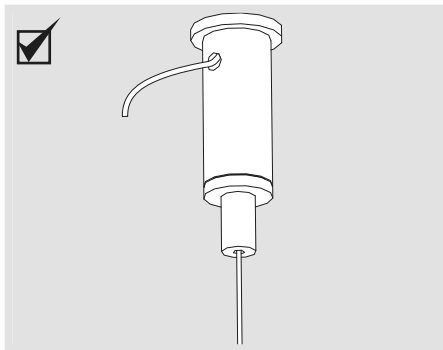
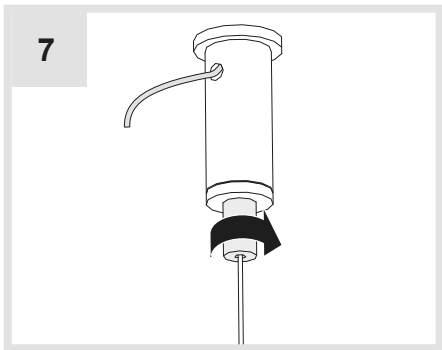
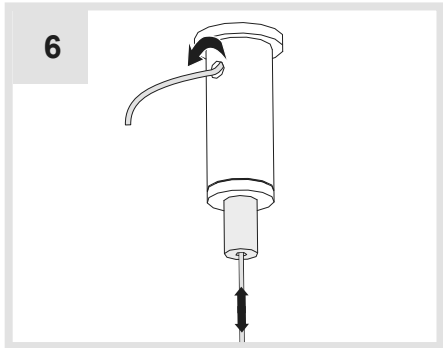
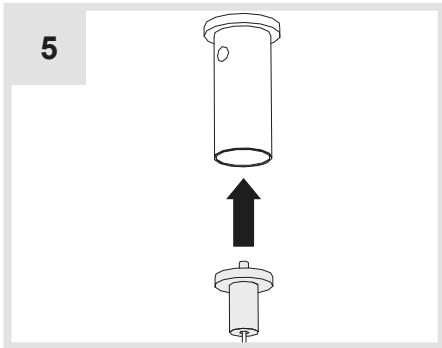


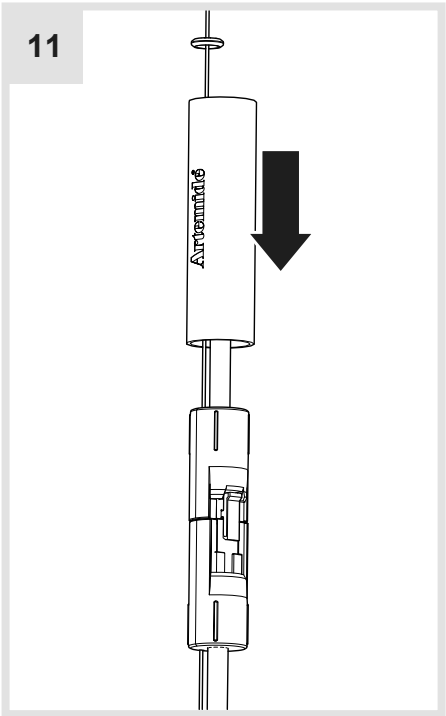
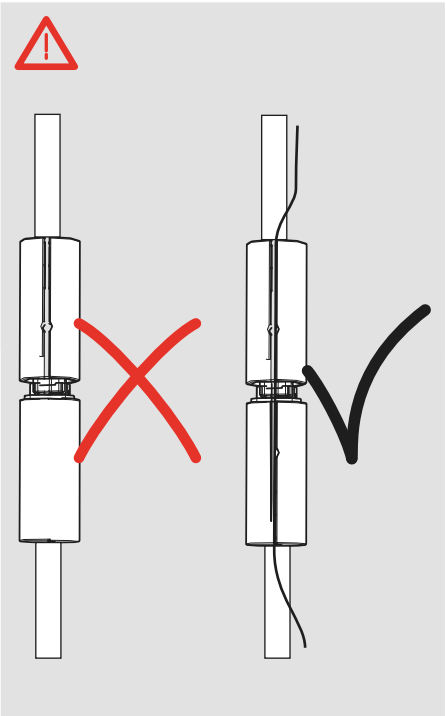
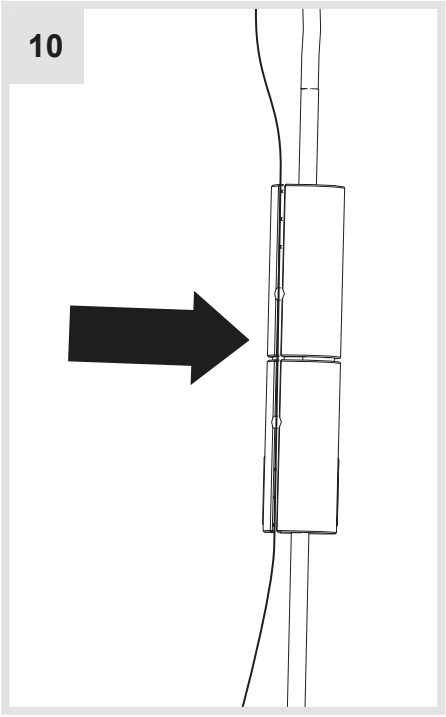
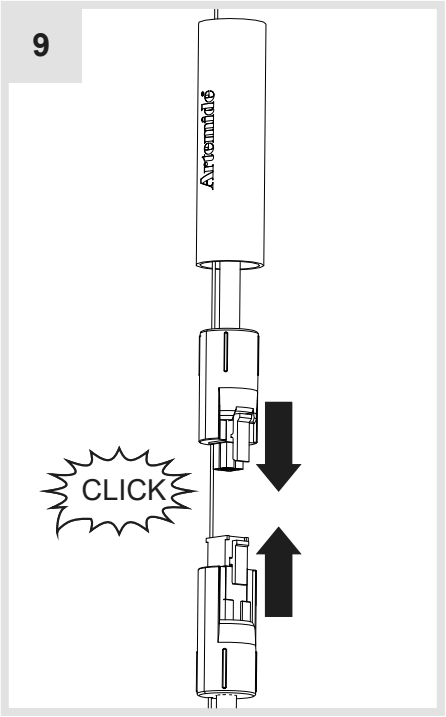
4a

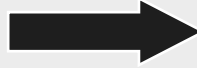
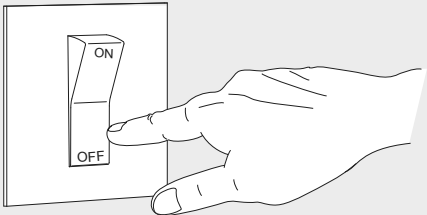
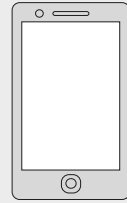
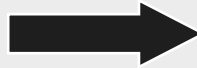
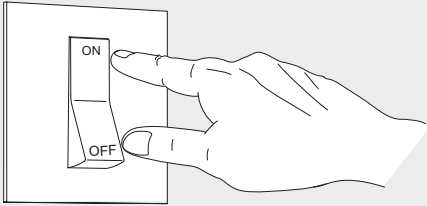
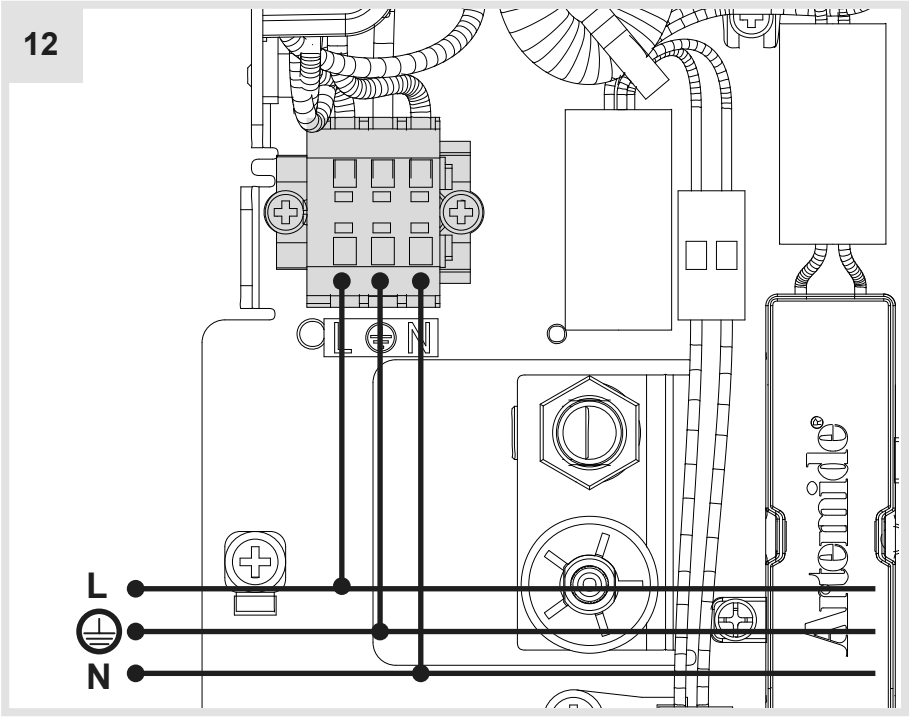


4b

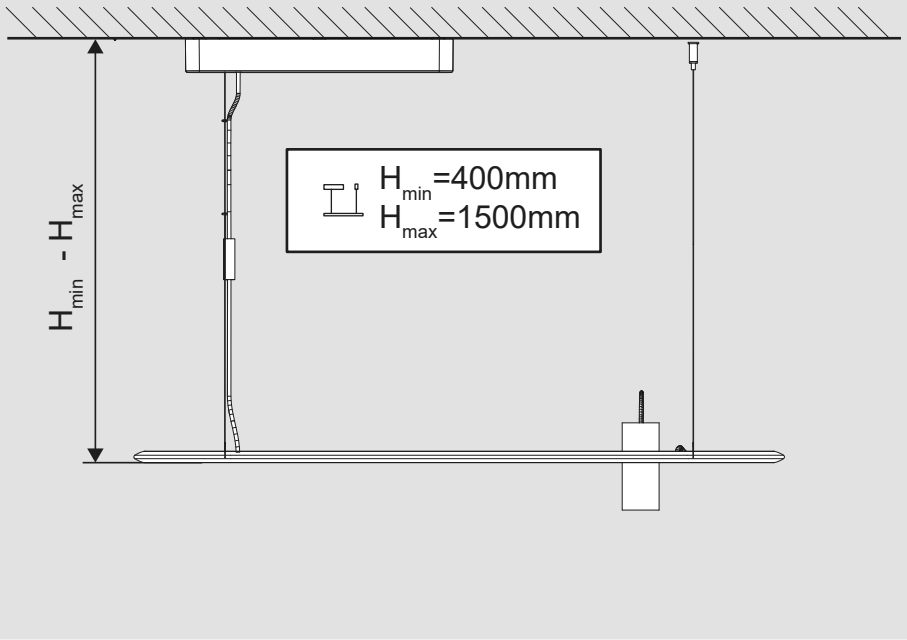




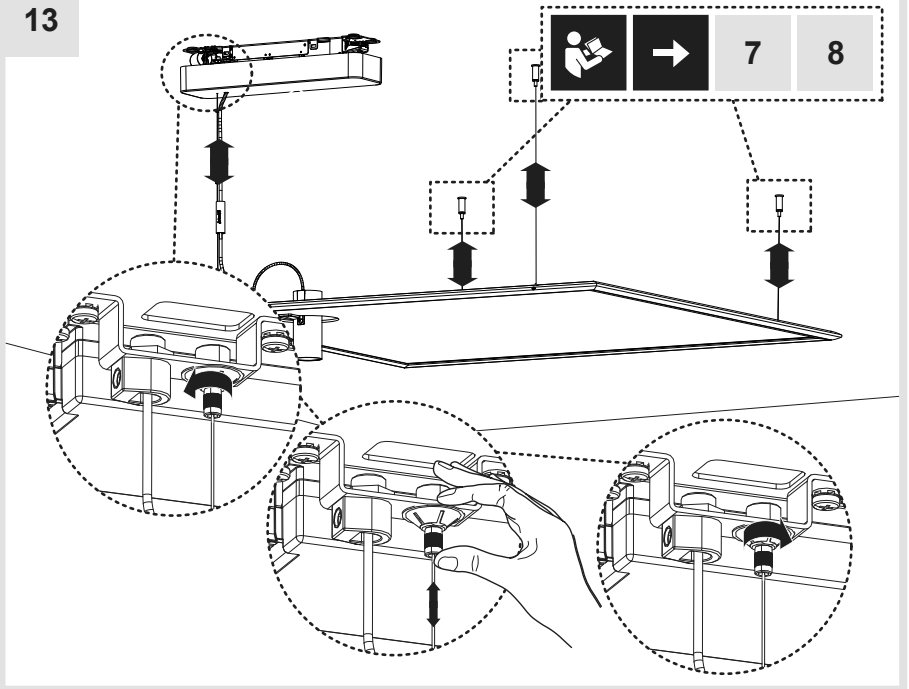


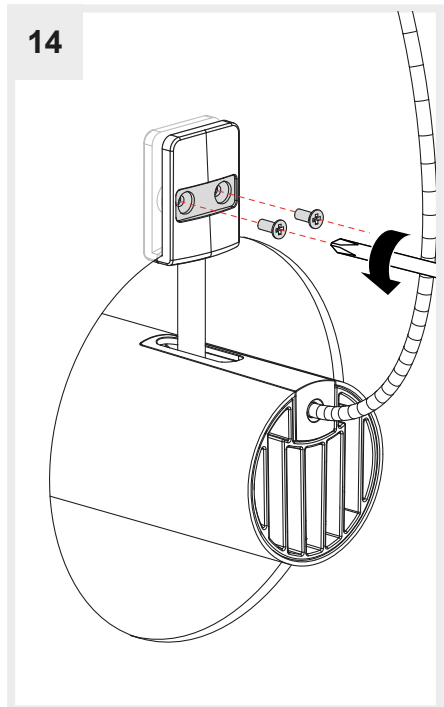
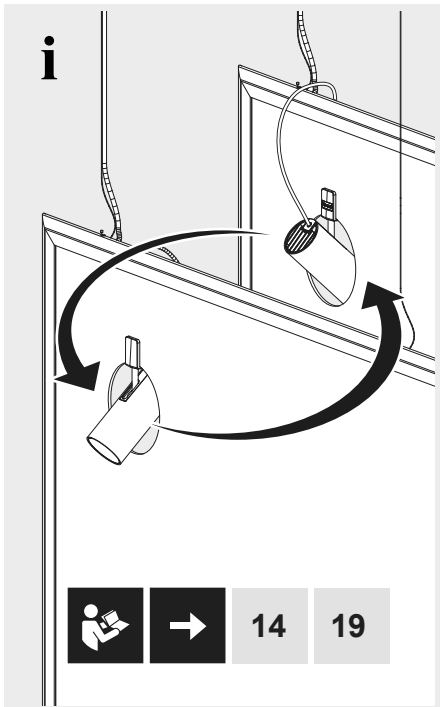
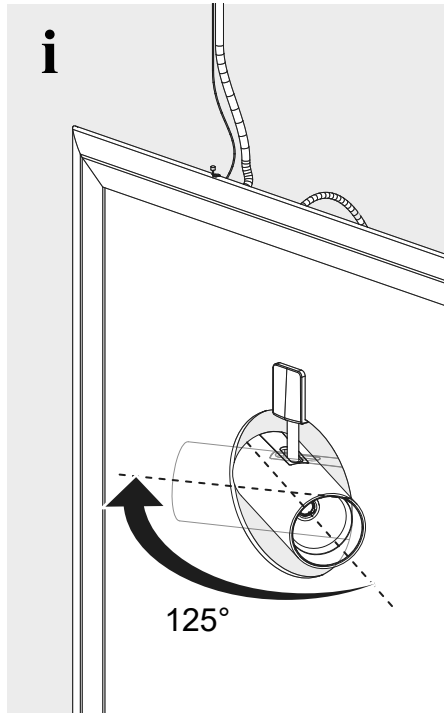
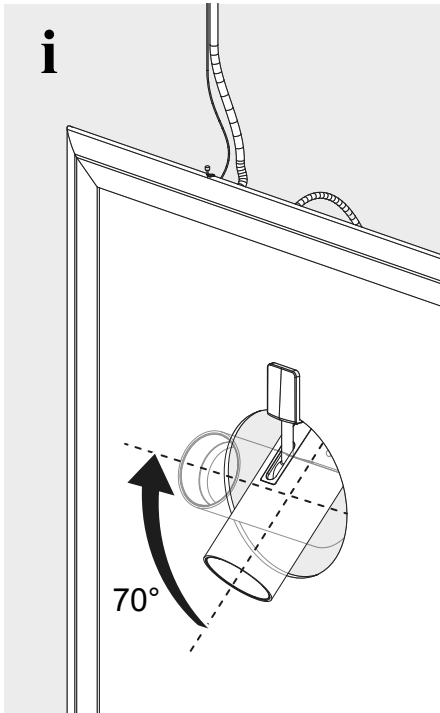


i

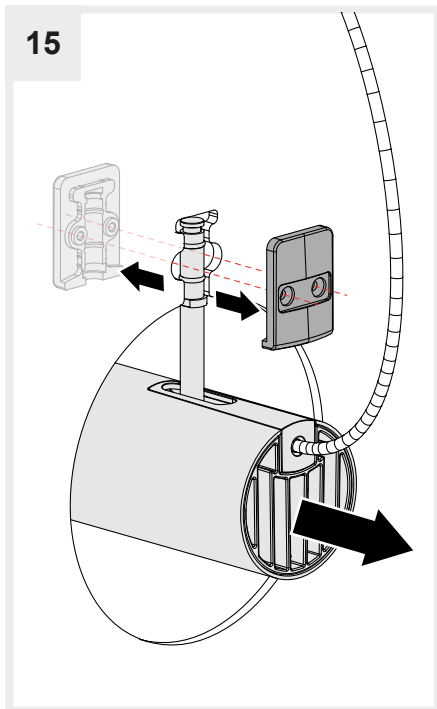


13

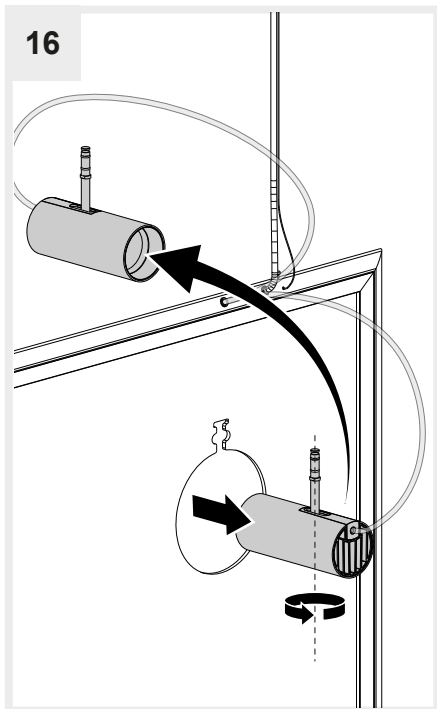




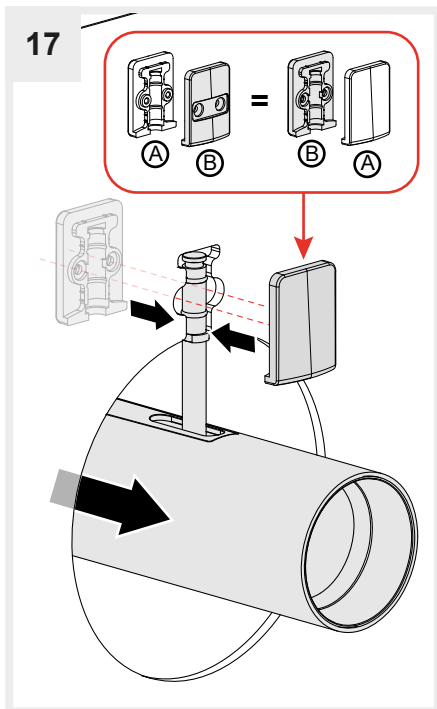
15



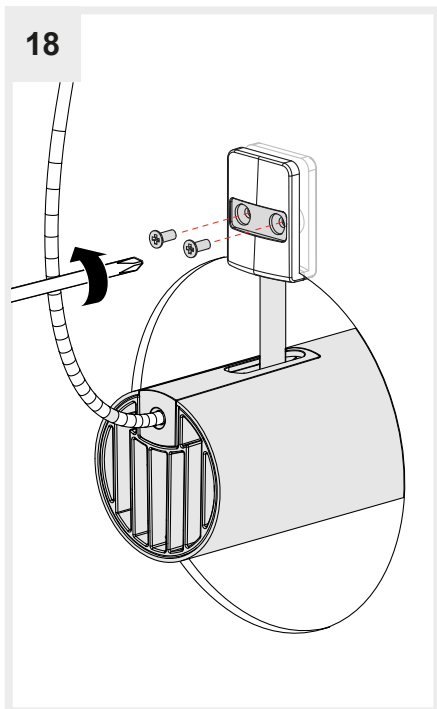
16



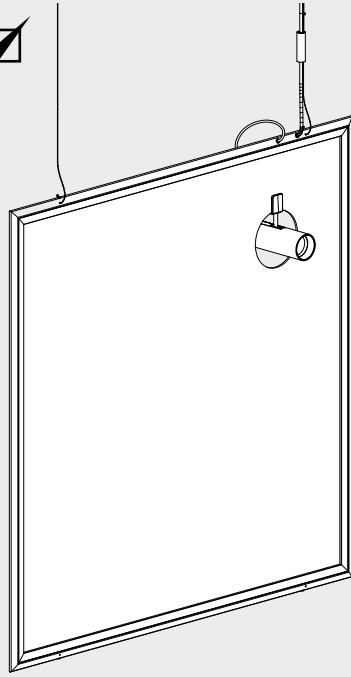
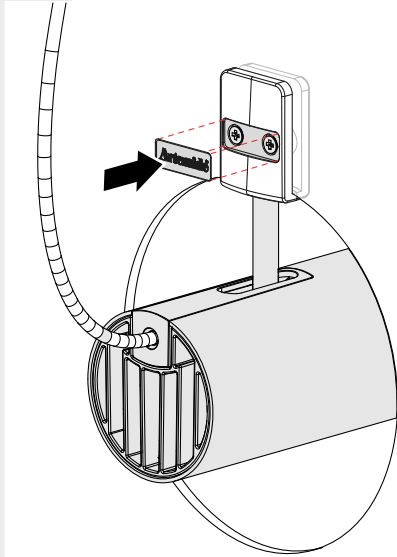
17



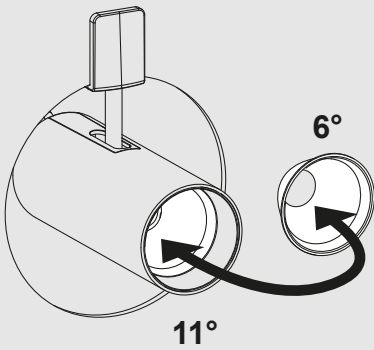
18



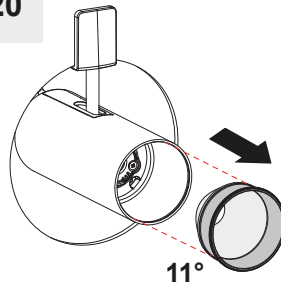
19



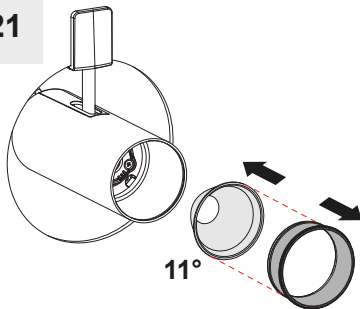
i



20



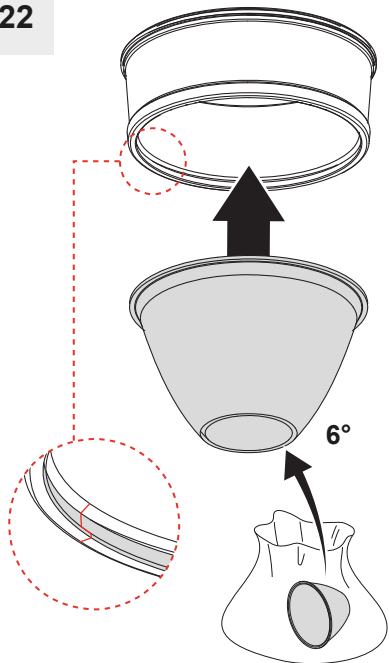
21



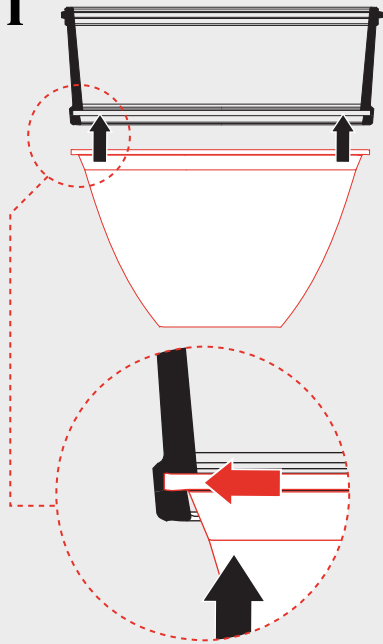
20

23

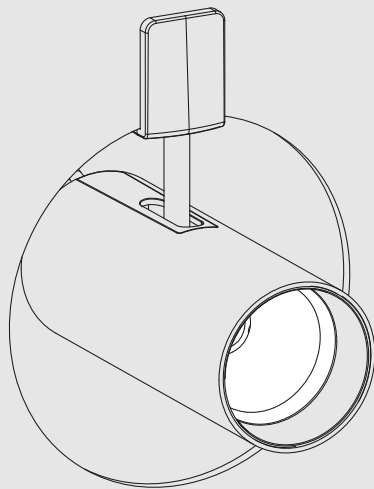
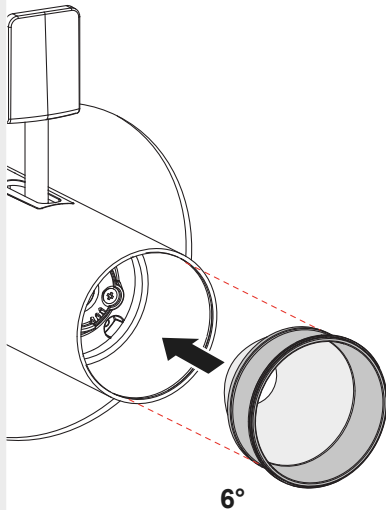
22



i

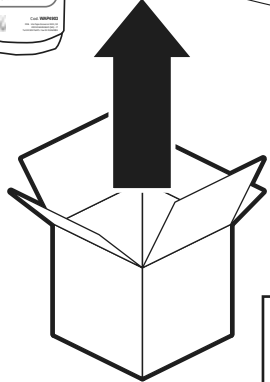
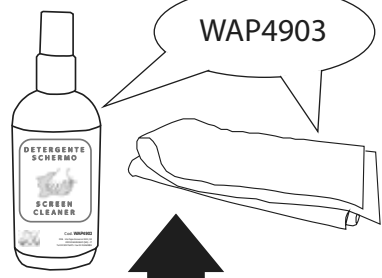
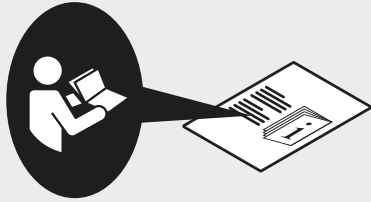


23

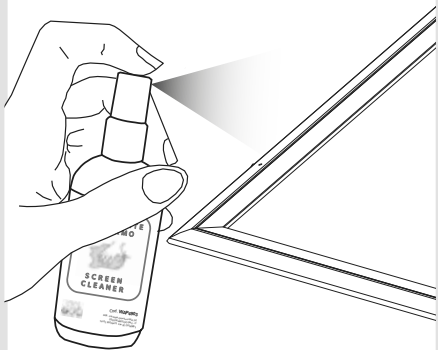




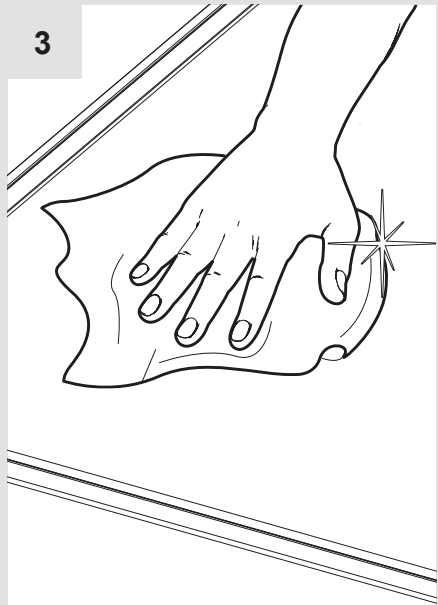
1



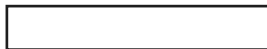
2



3



Artemide®



Artemide

via Bergamo, 18
20006 Pregnana M.se (MI)
ITALIA

tel. +39 02 935 181
fax +39 02 935 90 254
fax +39 02 935 90 496

www.artemide.com

VAT IT00846890150

cod. Y513001578A