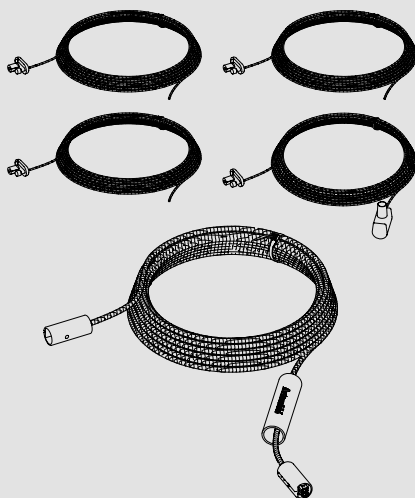
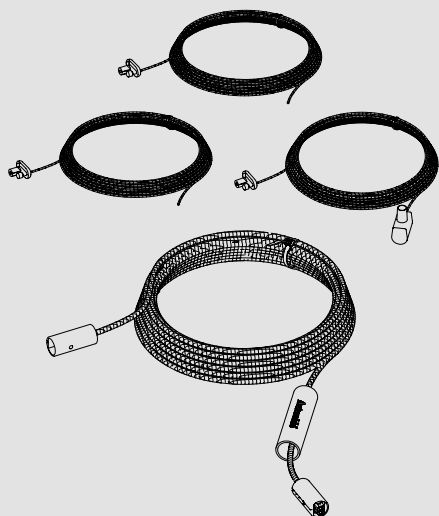
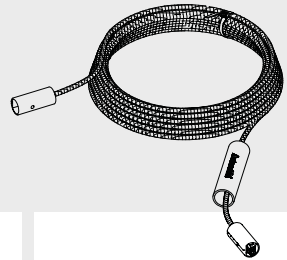


Artemide®

KIT PROLUNGA CAVI ALIMENTATI / CAVI DI SOSPENSIONE ALPHABET OF LIGHT LINEAR - CIRCULAR

design
BIG





1209000A
AOL SUSPENSION
• LINEAR
• CIRCULAR Ø90

3x

1x

1209100A
AOL SUSPENSION
CIRCULAR Ø155

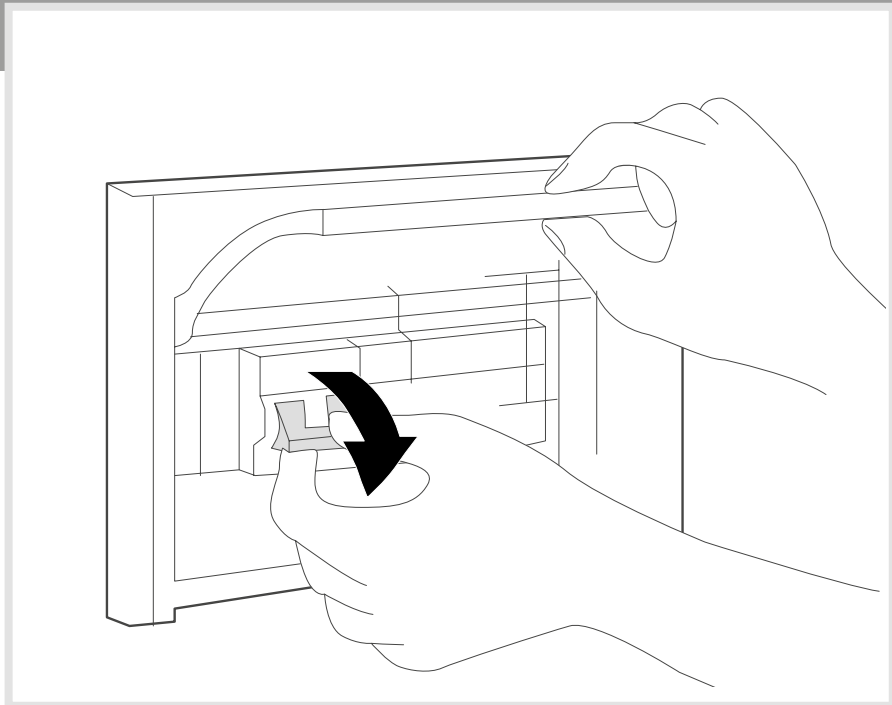
4x

1x

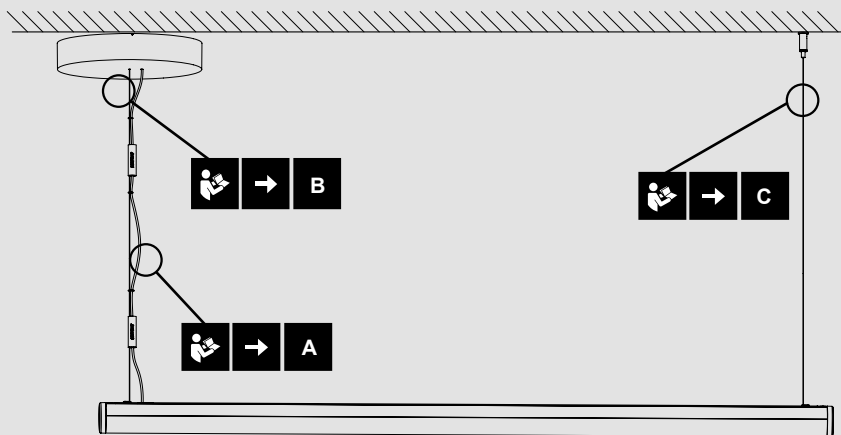
1209200A
AOL SUSPENSION
CIRCULAR Ø350

8x

4x



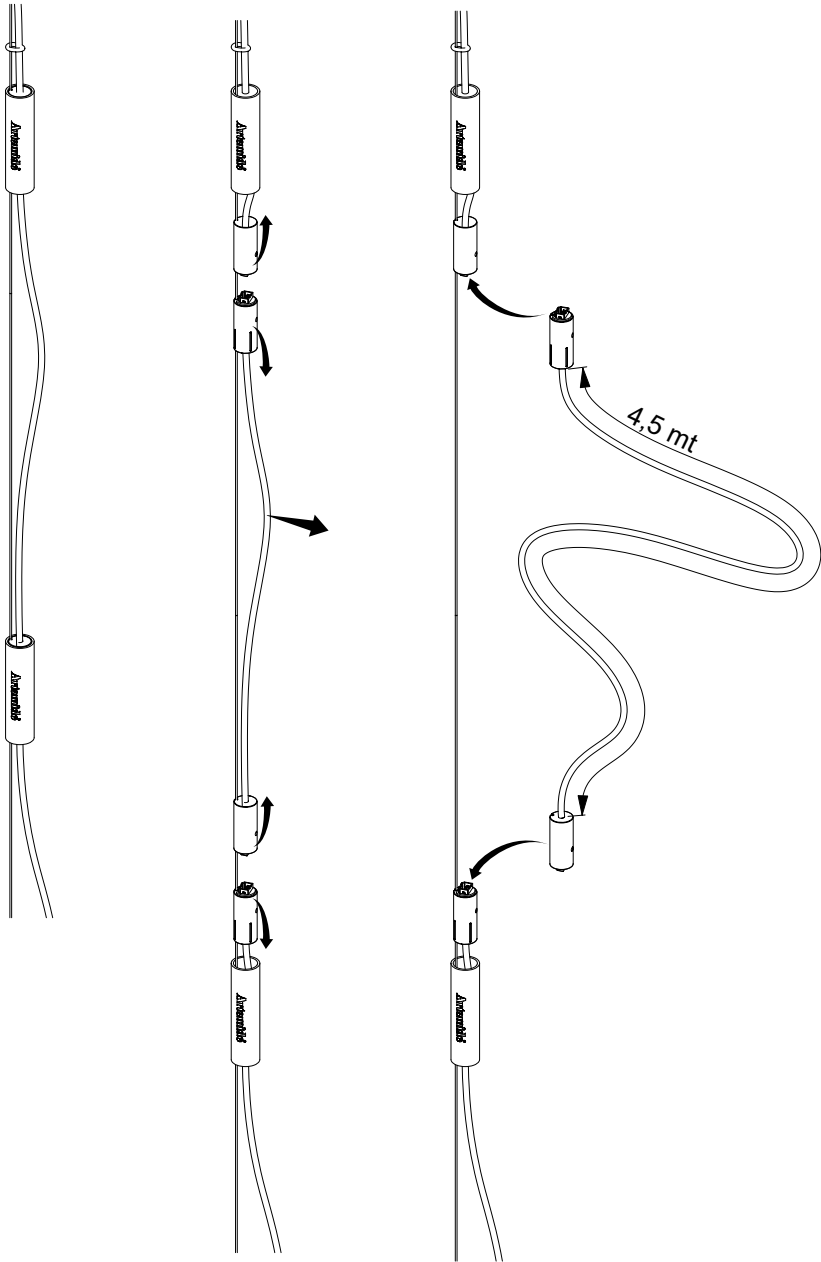
i

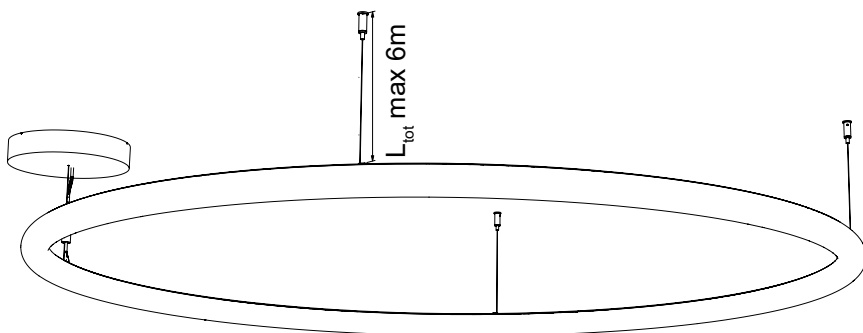
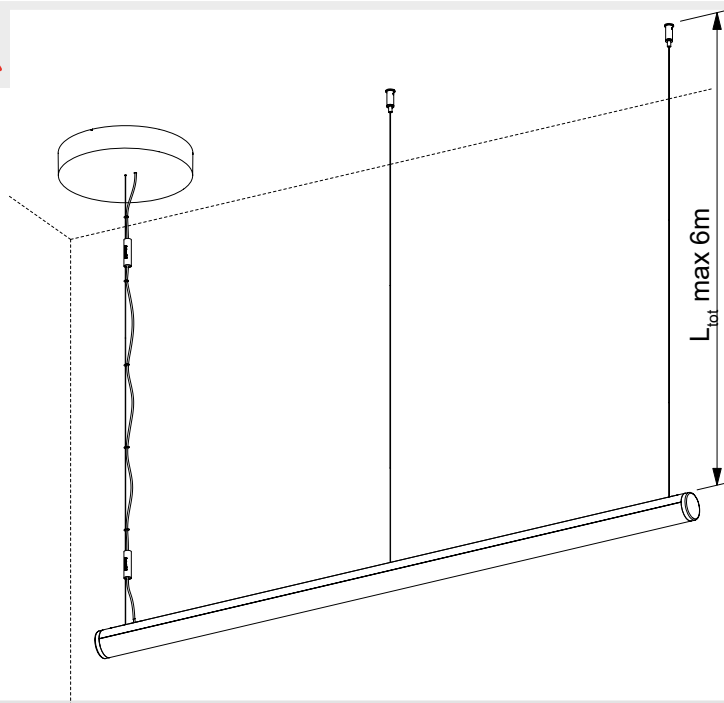


A

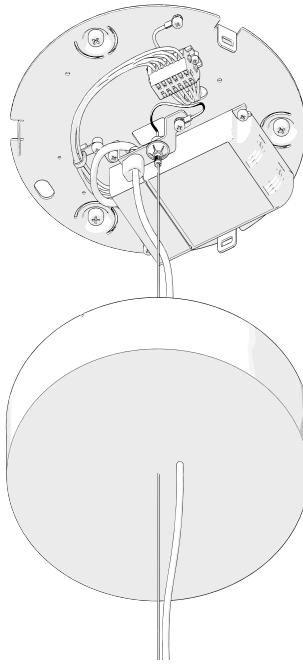
1



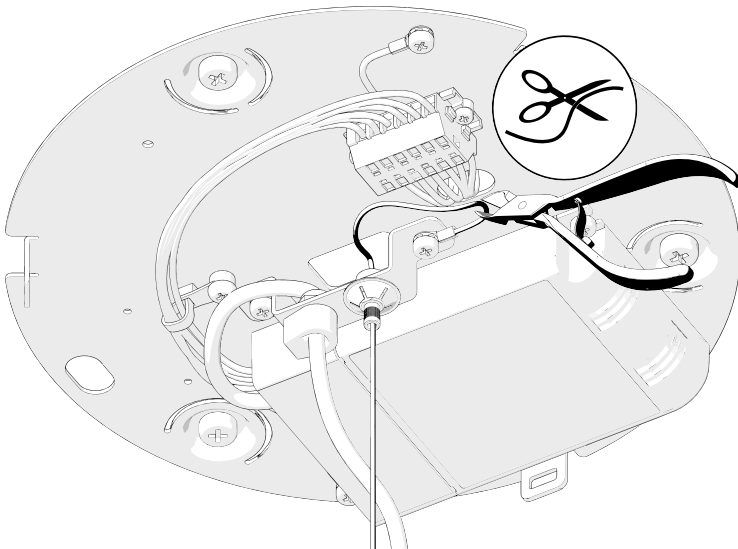




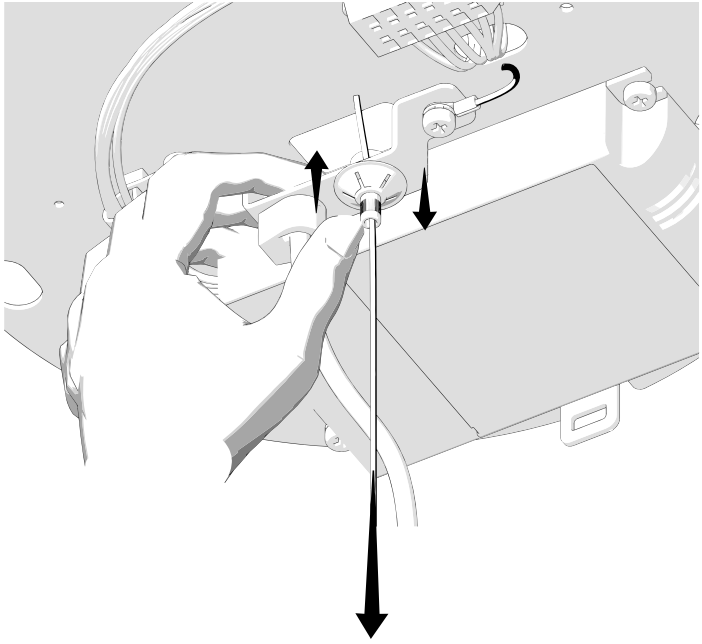
1



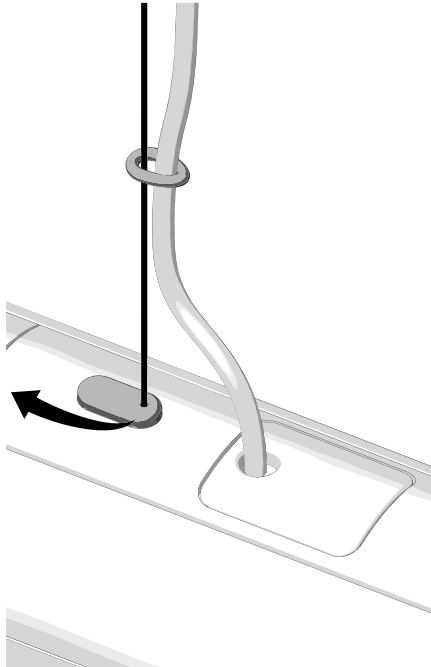
2



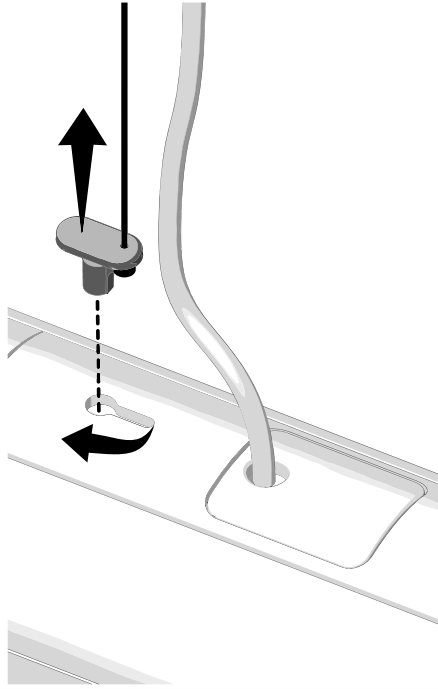
3



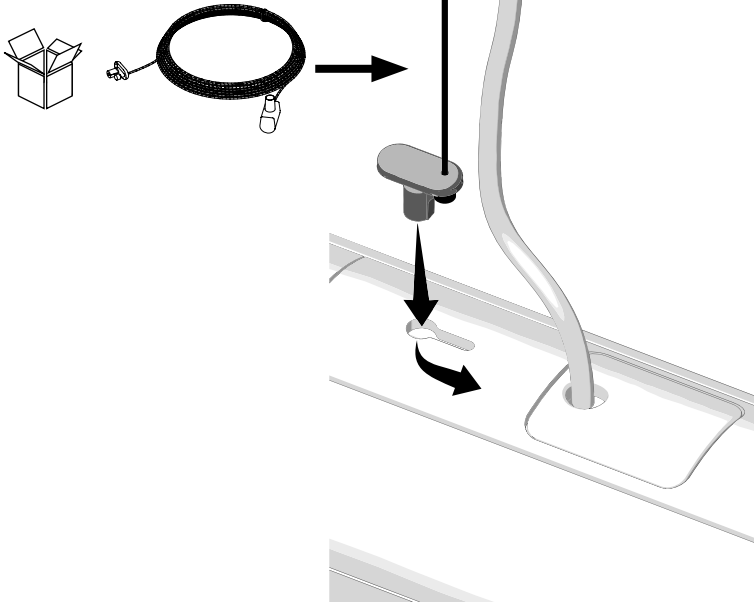
4



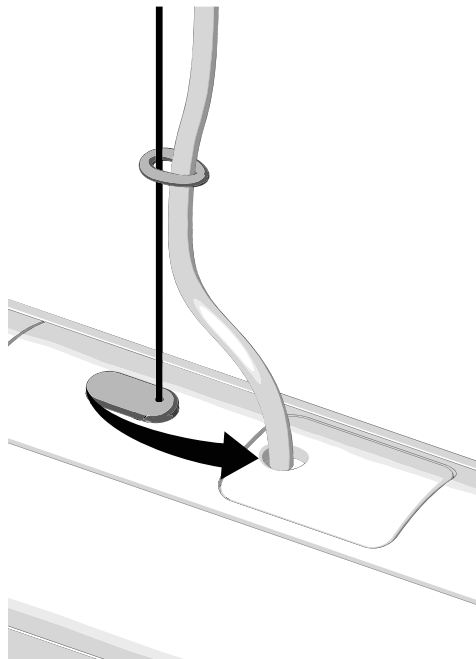
5



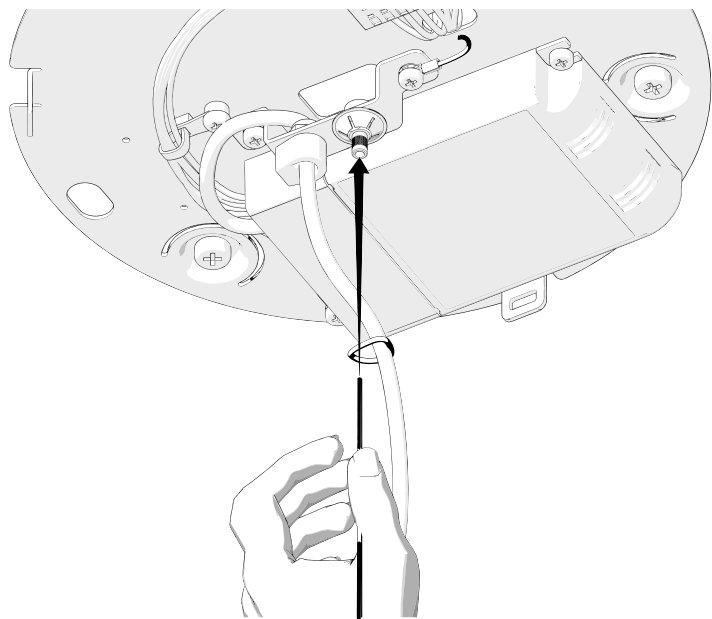
6



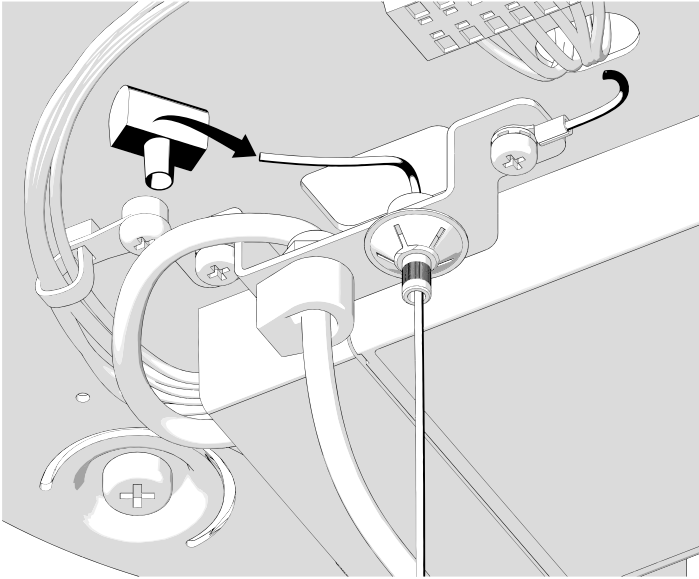
7



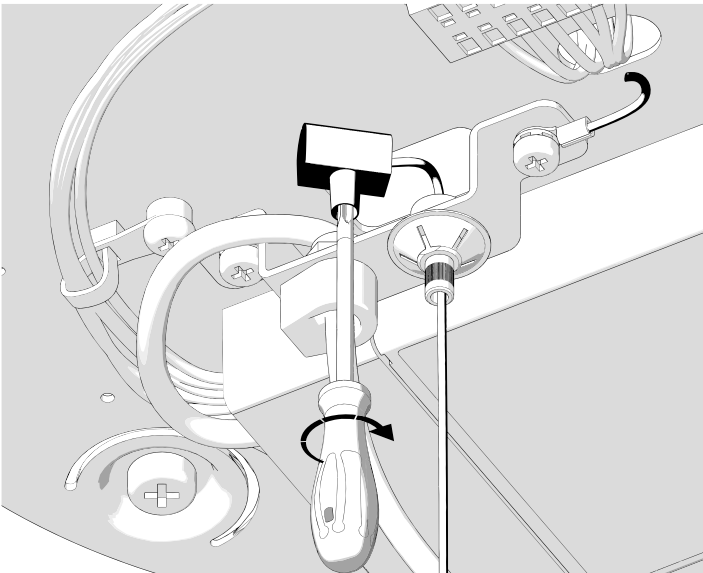
8

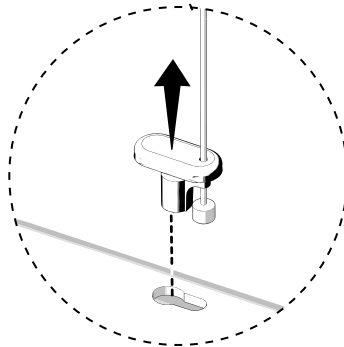
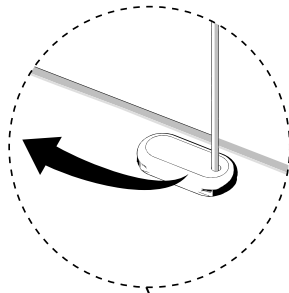
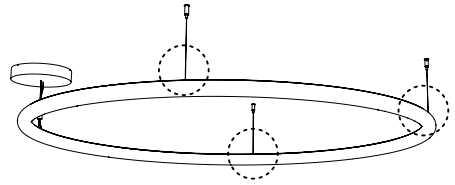
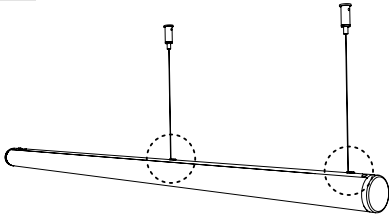


9

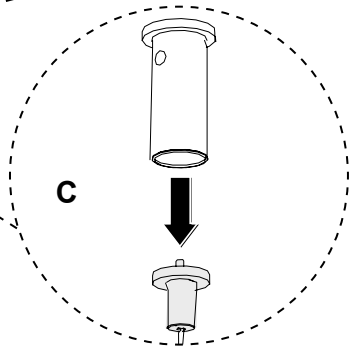
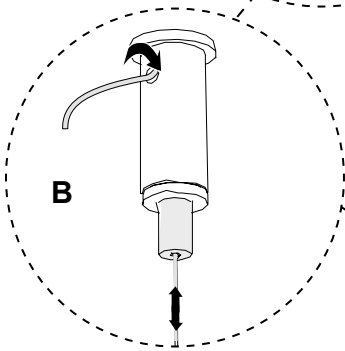
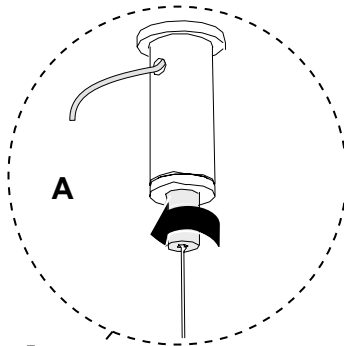
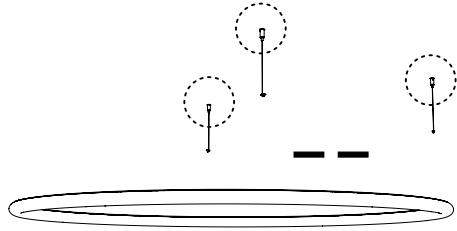
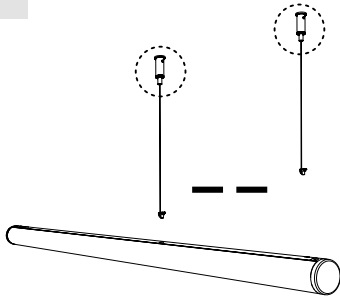


10

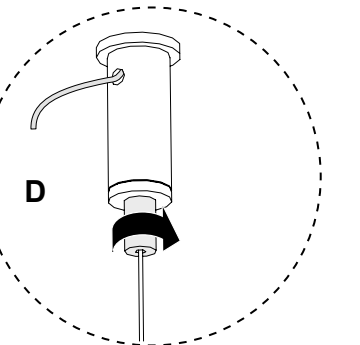
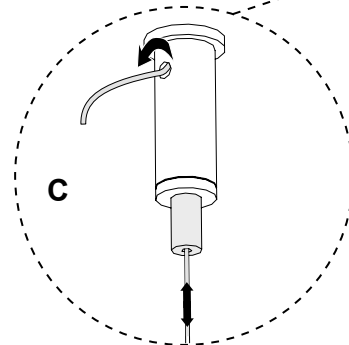
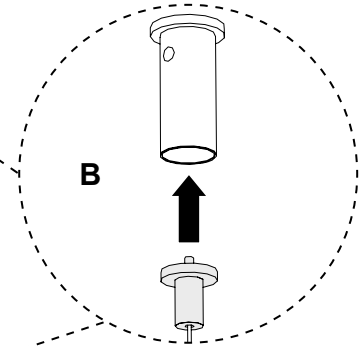
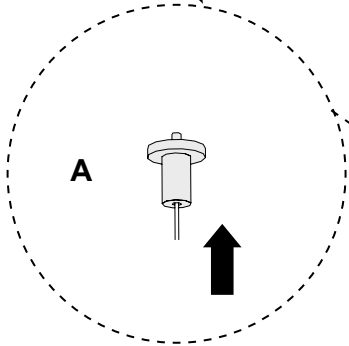
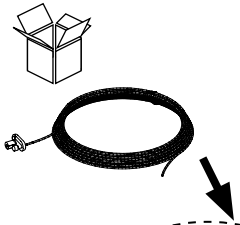
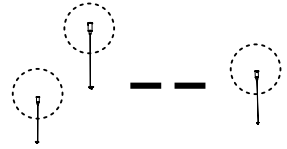
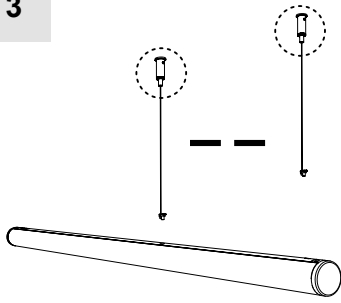




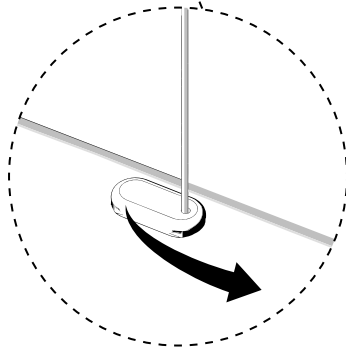
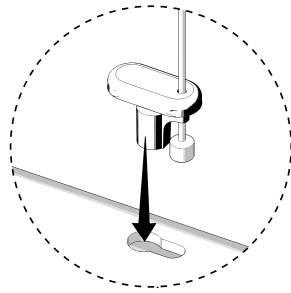
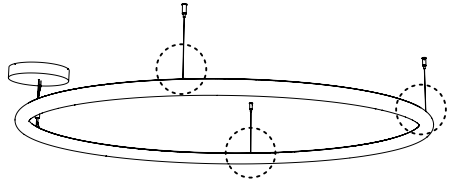
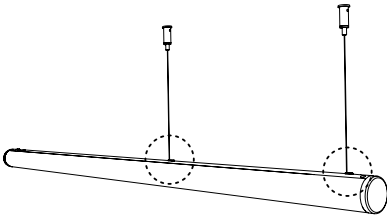
2



3



4



Artemide®



Artemide

via Bergamo, 18
20006 Pregnana M.se (MI)
ITALIA

tel. +39 02 935 181
fax +39 02 935 90 254
fax +39 02 935 90 496

www.artemide.com

VAT IT00846890150

cod. Y513001294B