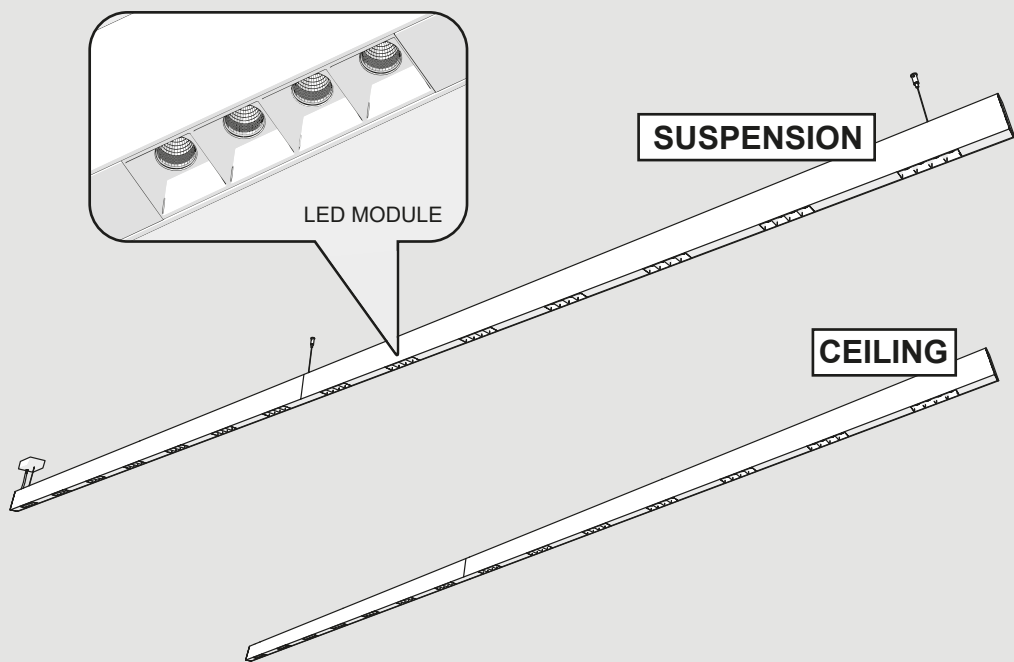


A.39 CEIL/SUSP DIR SHARPING A.39 SUSP DIR+INDIR SHARPING

design
C. de Bevilacqua



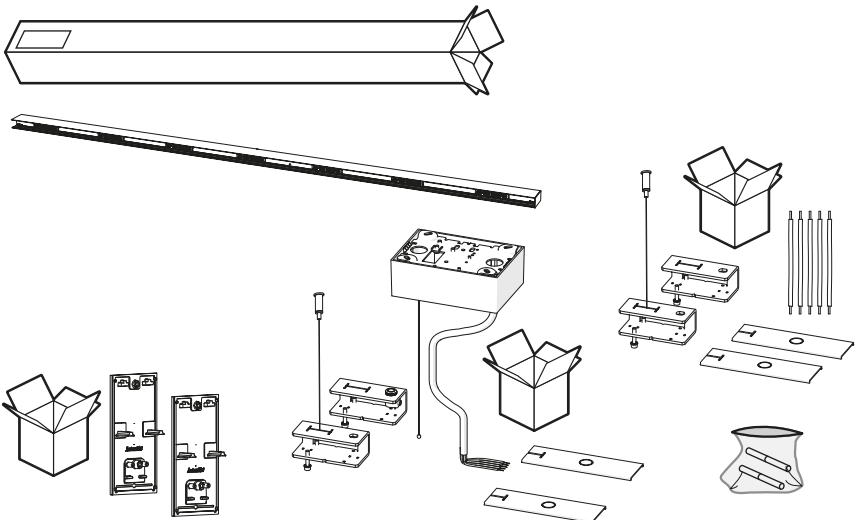


i

| | IP20 | | DIM 4 | NO DIM | | | | | | | | | | | | | | | | | | | |
|----|---------------------|---|-----------|------------|--|---------------------|--|--|--------|--------|--------|----|------|------|------|----|------|------|------|----|------|------|------|
| | | <table border="1"> <thead> <tr> <th rowspan="2"></th> <th colspan="3">LED 1 from Dthr (m)</th> </tr> <tr> <th>2700 K</th> <th>3000 K</th> <th>4000 K</th> </tr> </thead> <tbody> <tr> <td>FL</td> <td>0,55</td> <td>0,55</td> <td>0,80</td> </tr> <tr> <td>WF</td> <td>0,45</td> <td>0,45</td> <td>0,70</td> </tr> <tr> <td>XF</td> <td>0,35</td> <td>0,35</td> <td>0,50</td> </tr> </tbody> </table> | | | | LED 1 from Dthr (m) | | | 2700 K | 3000 K | 4000 K | FL | 0,55 | 0,55 | 0,80 | WF | 0,45 | 0,45 | 0,70 | XF | 0,35 | 0,35 | 0,50 |
| | LED 1 from Dthr (m) | | | | | | | | | | | | | | | | | | | | | | |
| | 2700 K | 3000 K | 4000 K | | | | | | | | | | | | | | | | | | | | |
| FL | 0,55 | 0,55 | 0,80 | | | | | | | | | | | | | | | | | | | | |
| WF | 0,45 | 0,45 | 0,70 | | | | | | | | | | | | | | | | | | | | |
| XF | 0,35 | 0,35 | 0,50 | | | | | | | | | | | | | | | | | | | | |
| | | | | | | | | | | | | | | | | | | | | | | | |

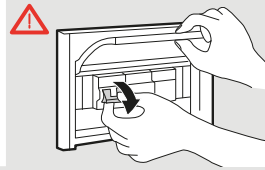
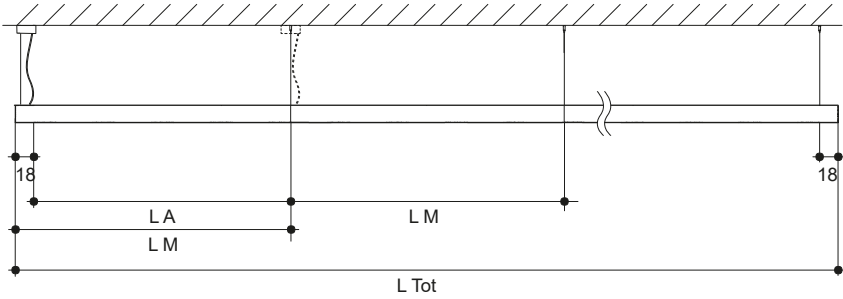
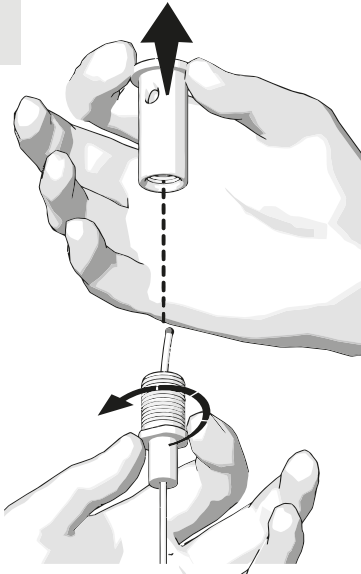
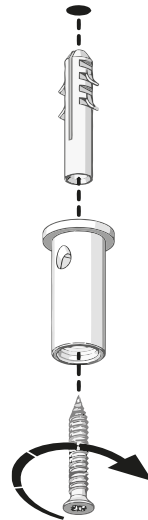


A.39 SHARPING SUSPENSION

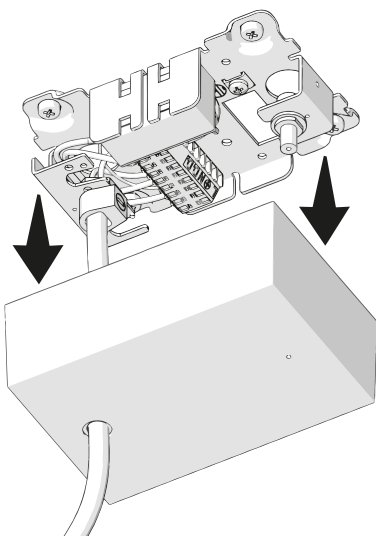


1

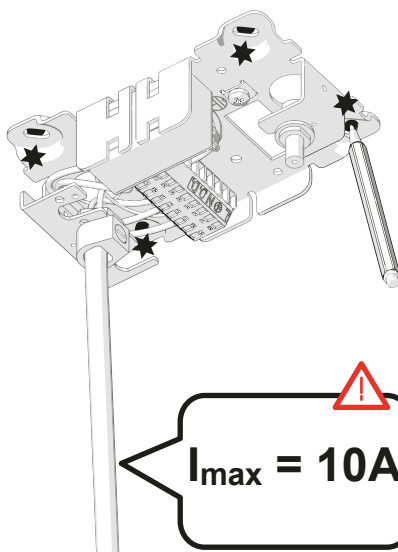
| SUSPENSION WIRES LAYOUT | | |
|-------------------------|----------|------|
| LM [mm] | LA mm | ⊕ Kg |
| 1184 | LM-18 mm | 2,3 |
| 1480 | | 2,9 |
| 2368 | | 4,4 |
| 2960 | | 5,7 |

**2****3**

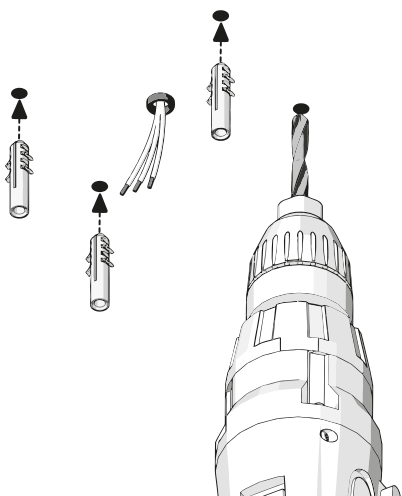
4



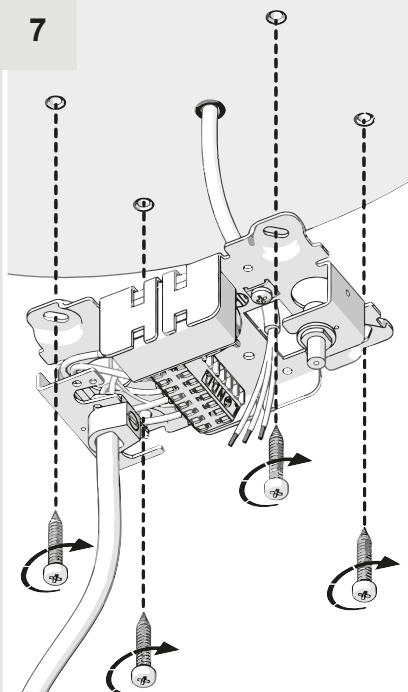
5



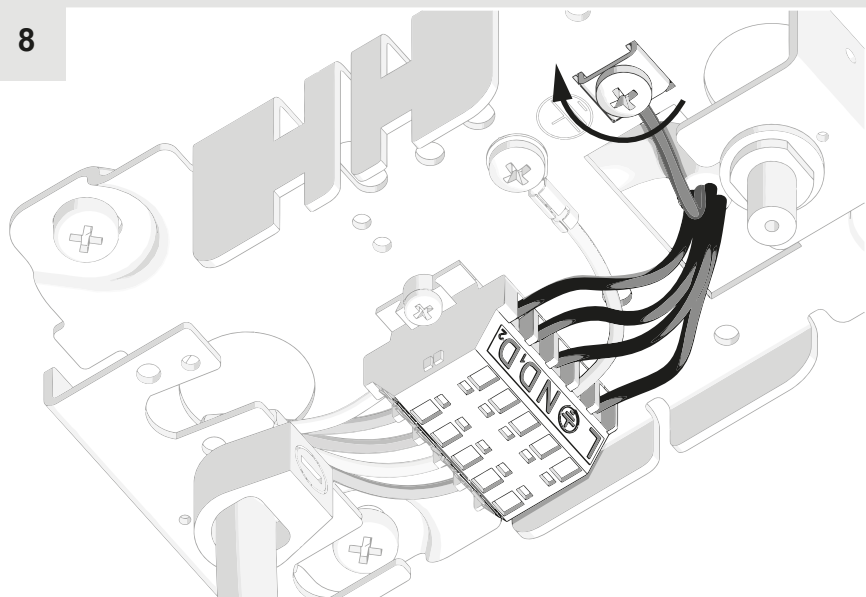
6



7

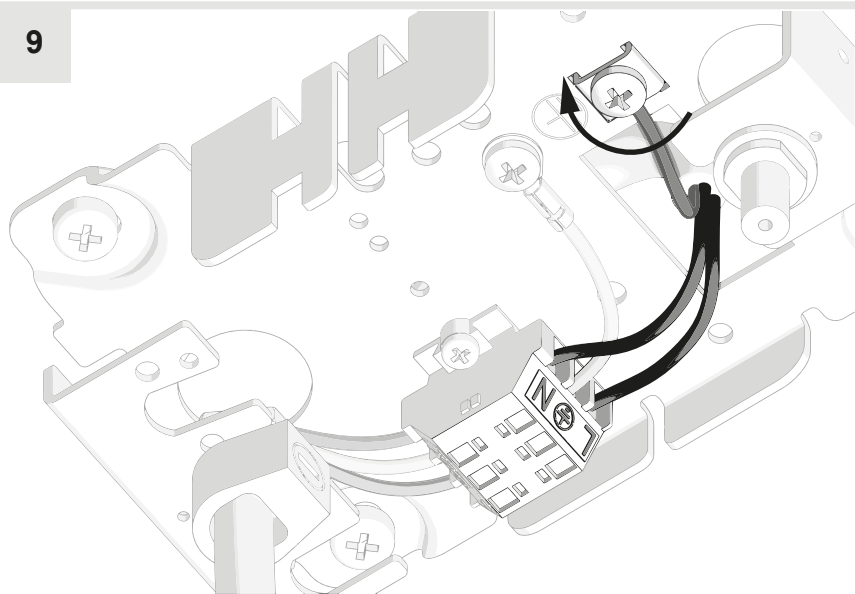


8



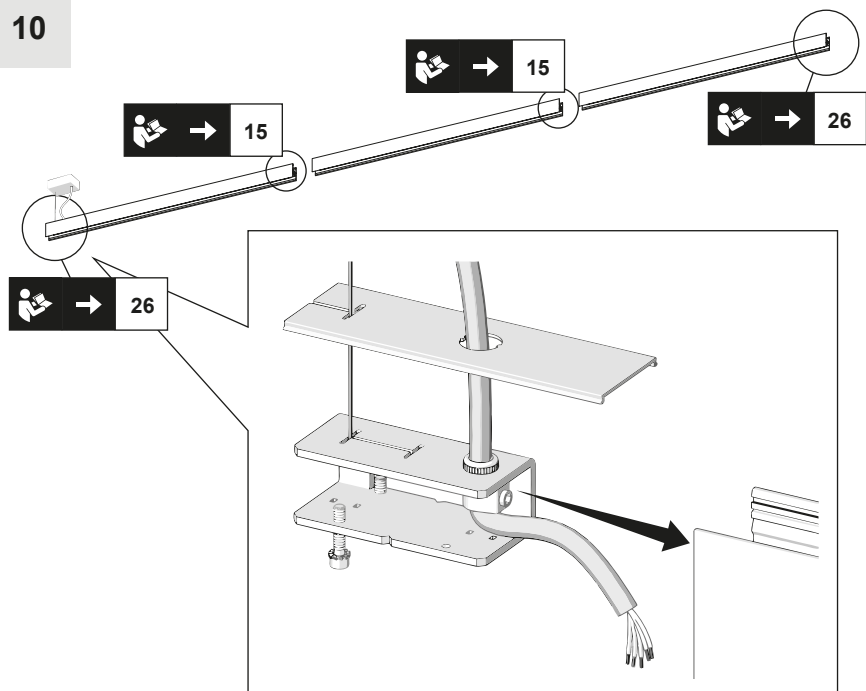
DIM 4

9

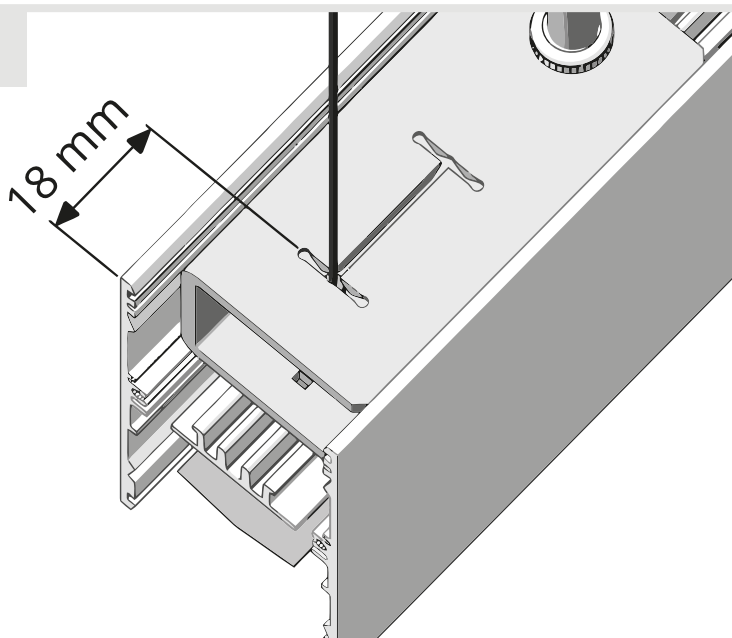


NO DIM

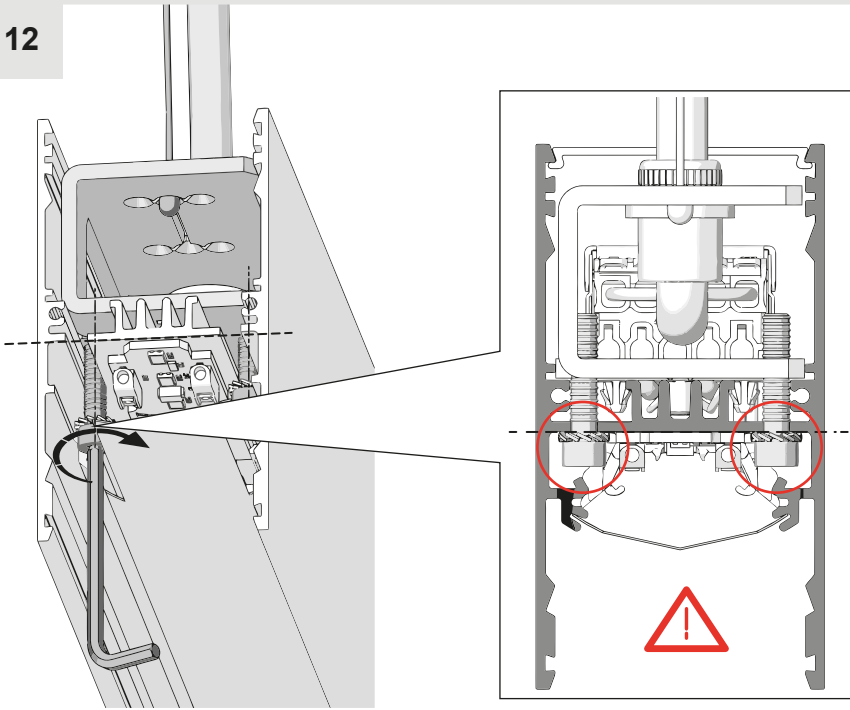
10



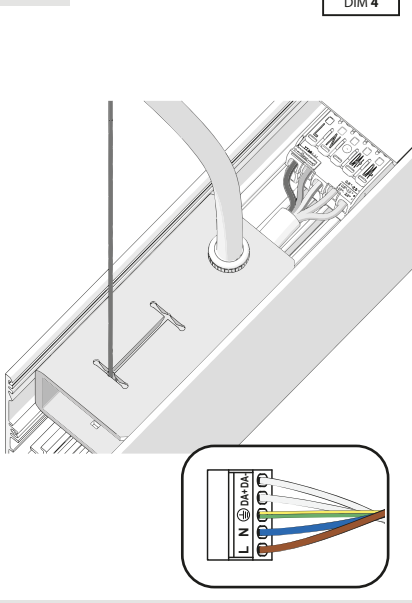
11



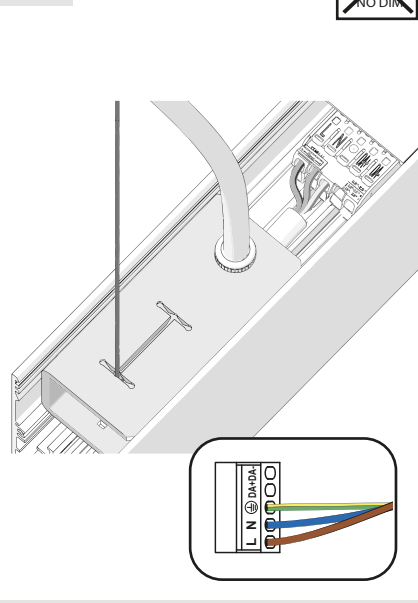
12



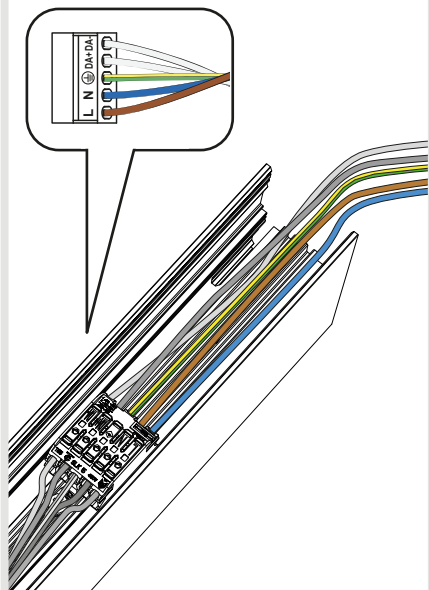
13a



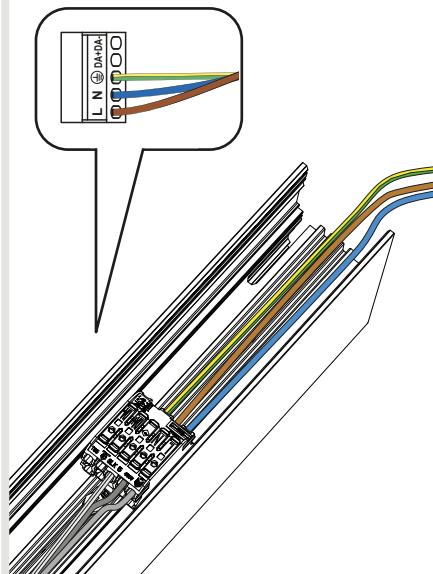
13b



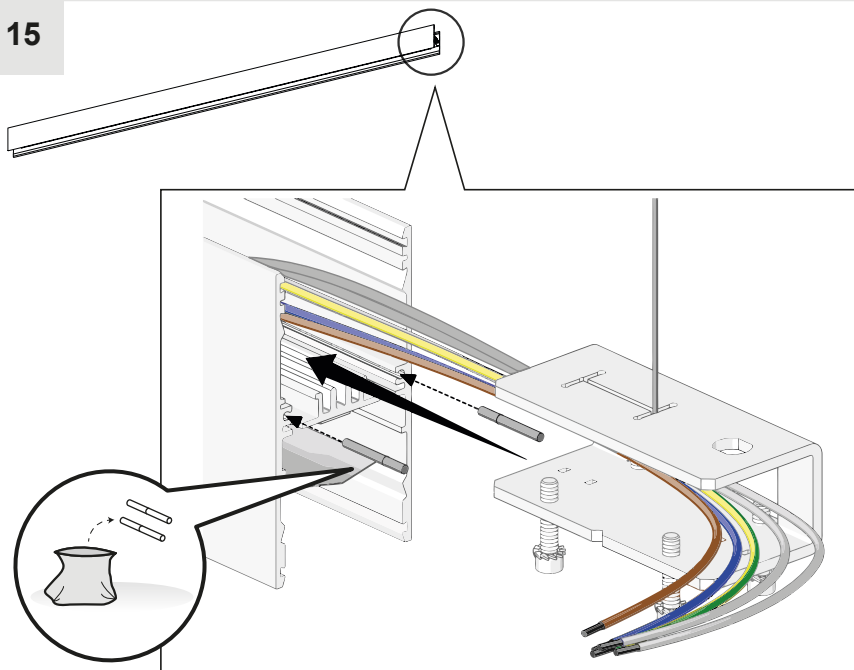
14a



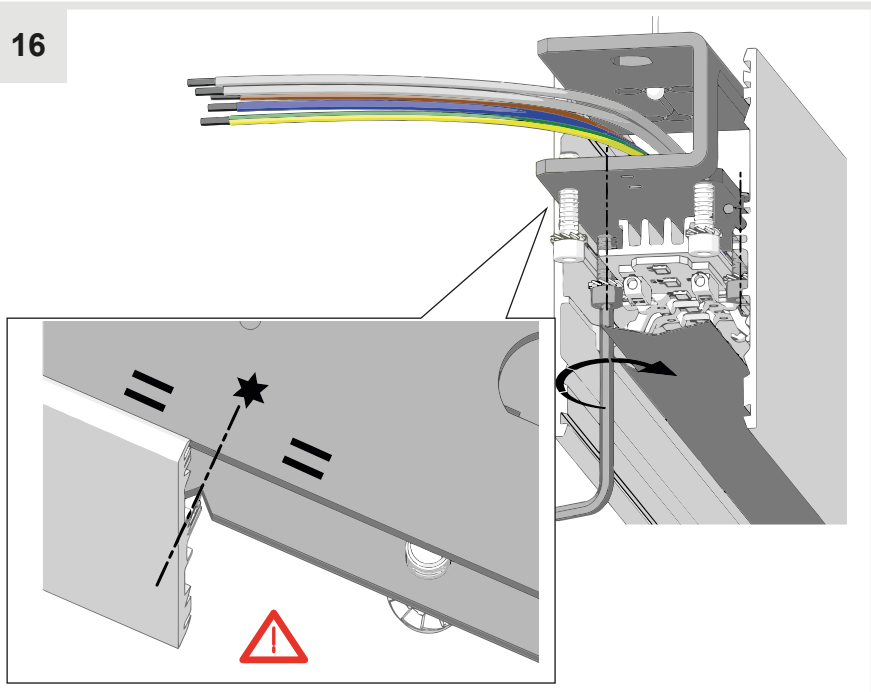
14b



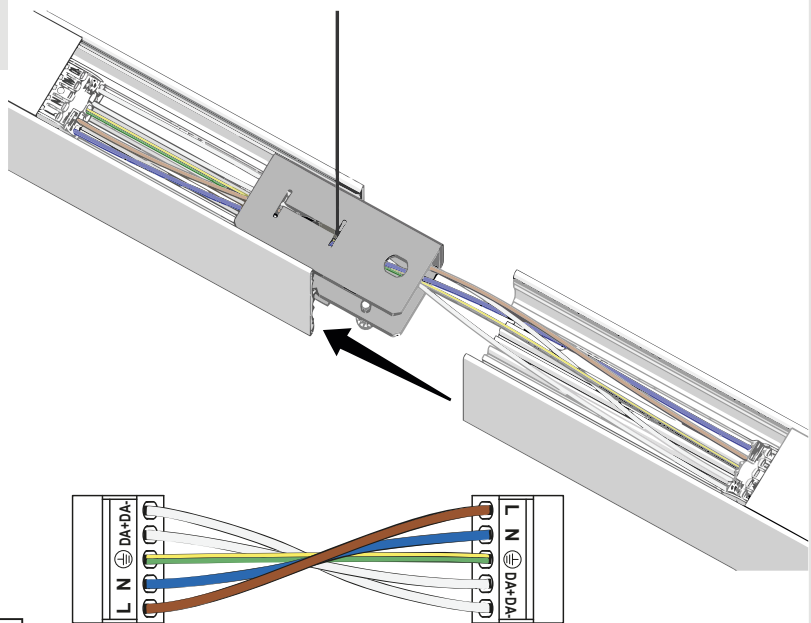
15



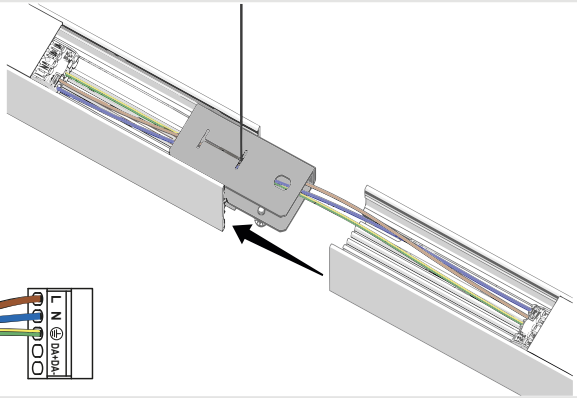
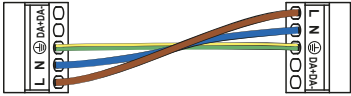
16



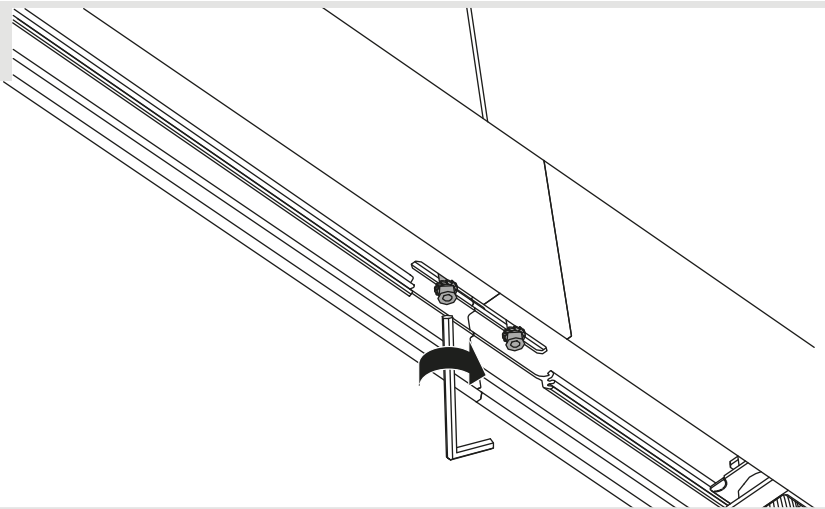
17



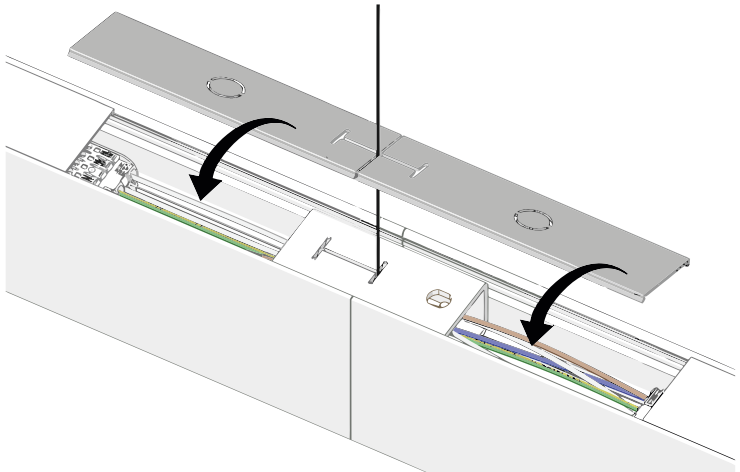
18



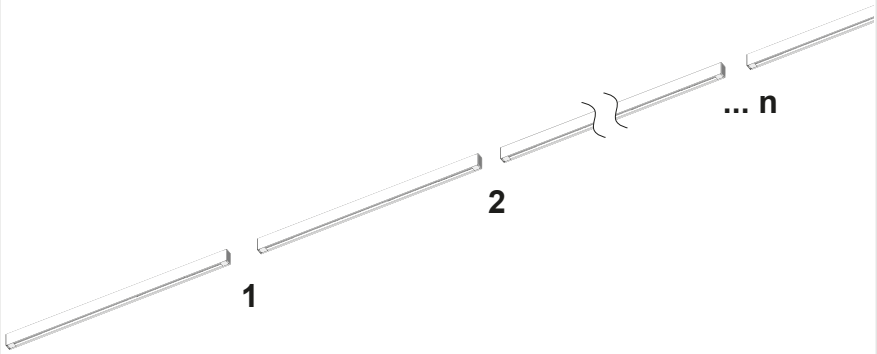
19



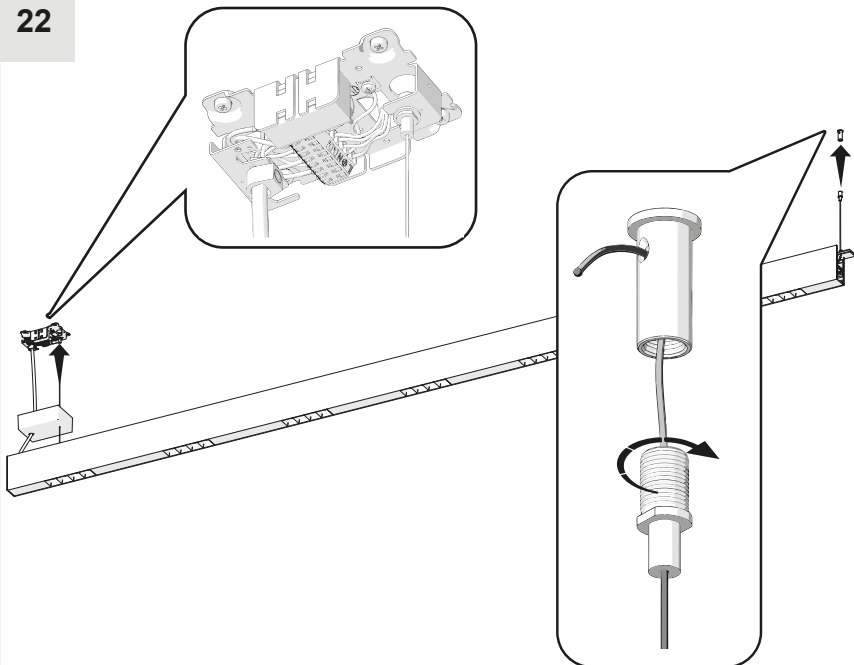
20



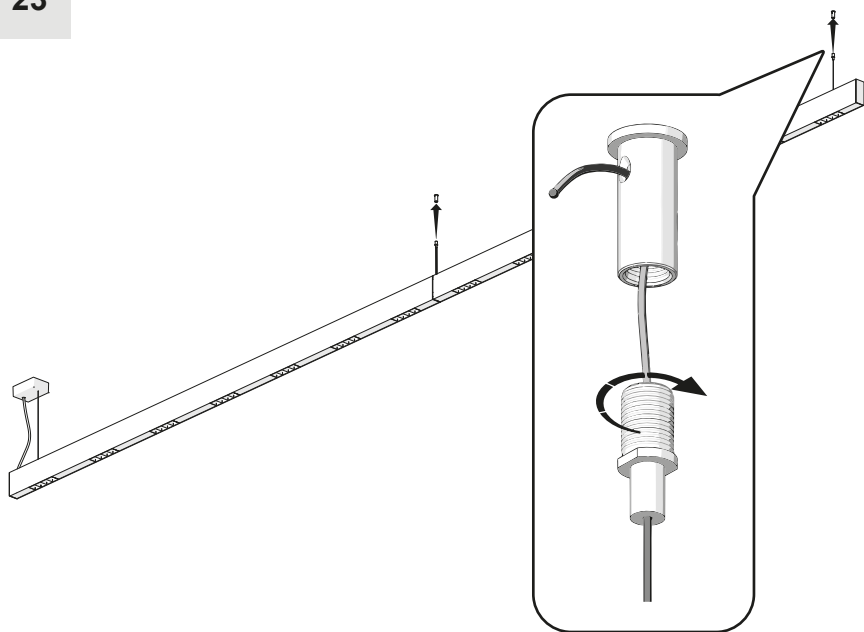
21



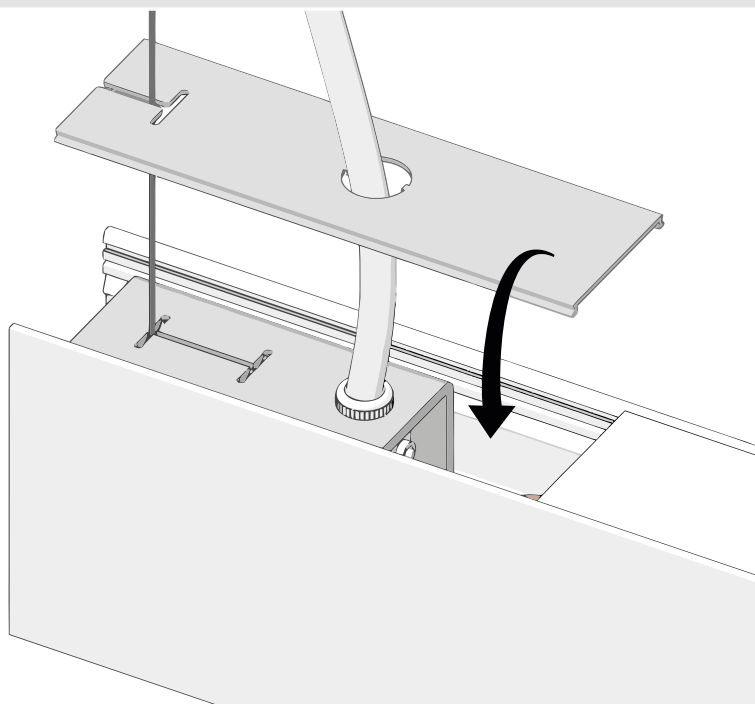
22



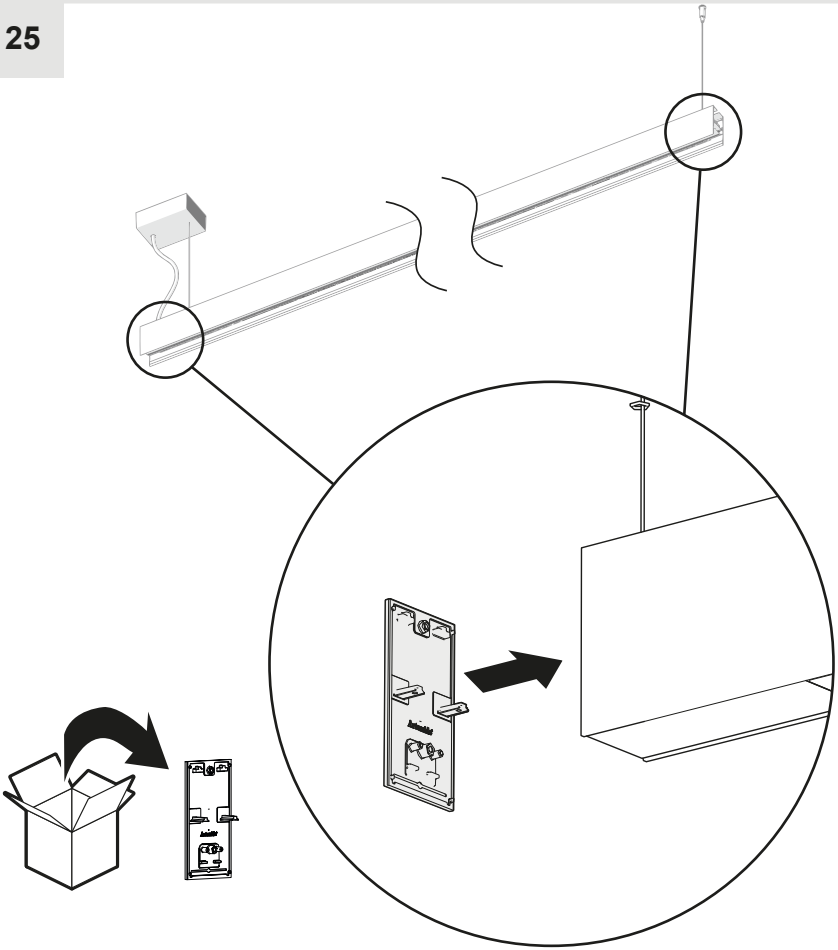
23



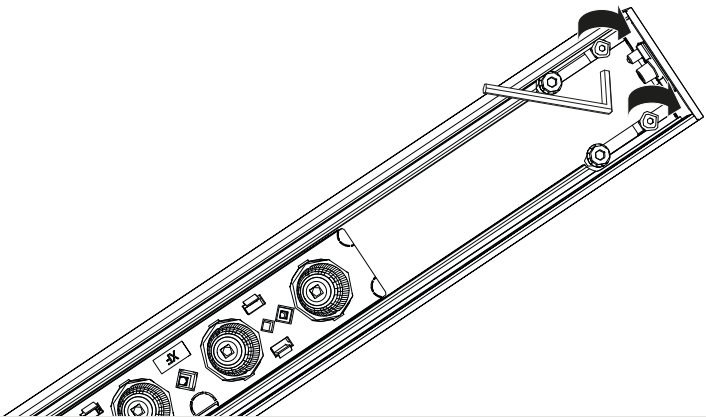
24

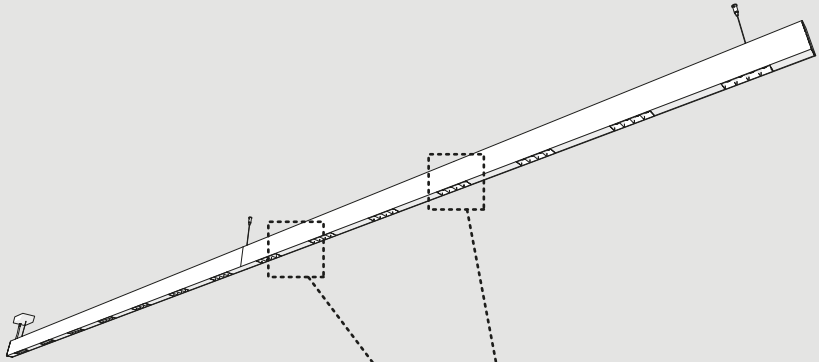


25

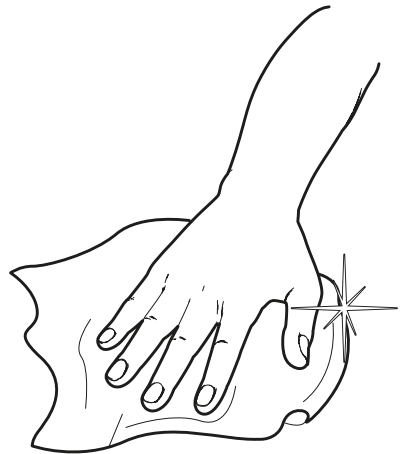
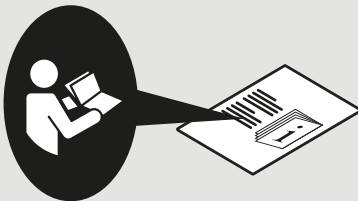


26



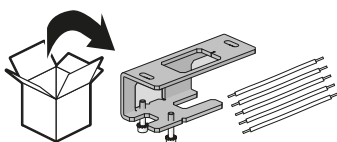
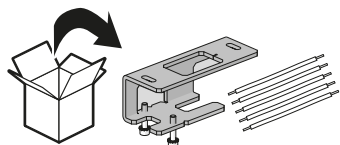
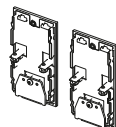
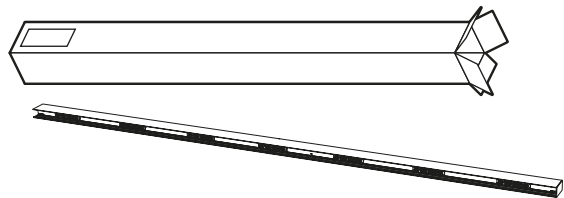


Y513001089





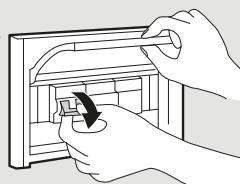
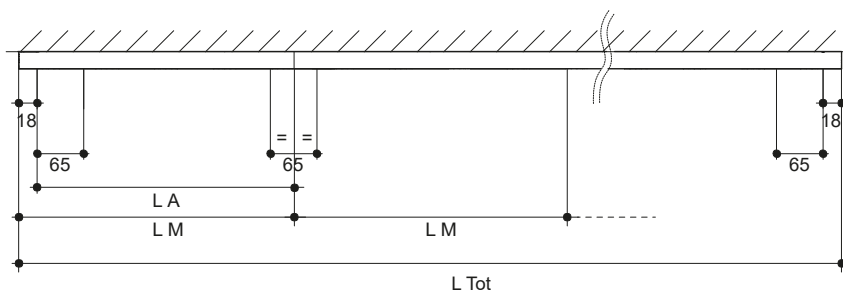
CEILING



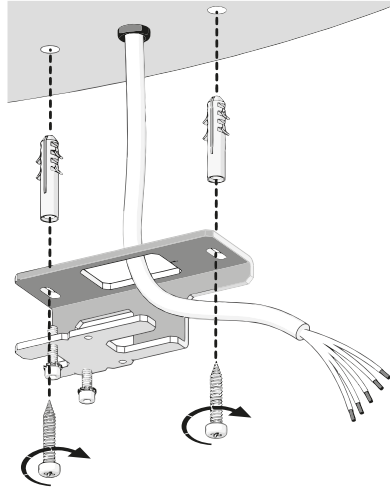
1

CEILING DRILING LAY-OUT

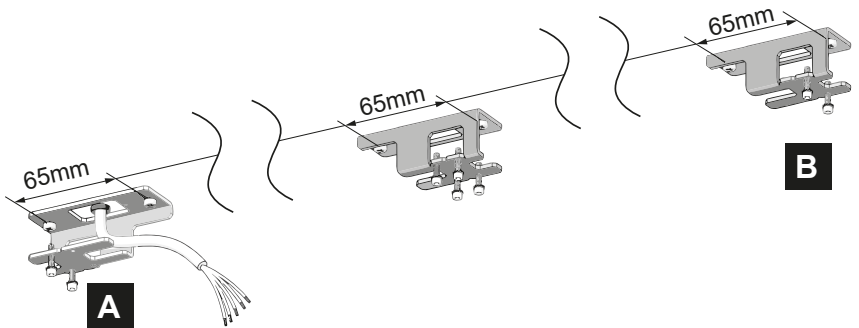
| LM [mm] | LA [mm] | ⊕ Kg |
|---------|----------|------|
| 1184 | LM-18 mm | 2,3 |
| 1480 | | 2,9 |
| 2368 | | 4,4 |
| 2960 | | 5,7 |



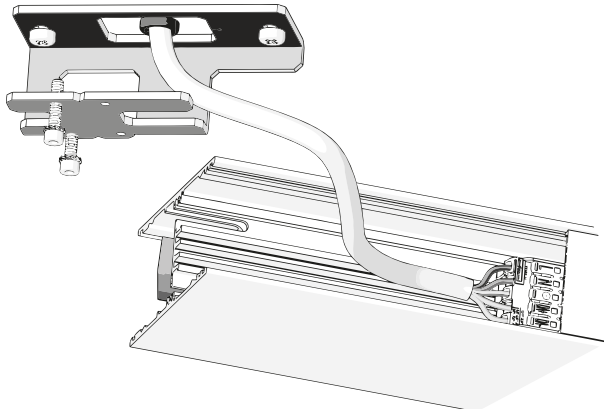
2



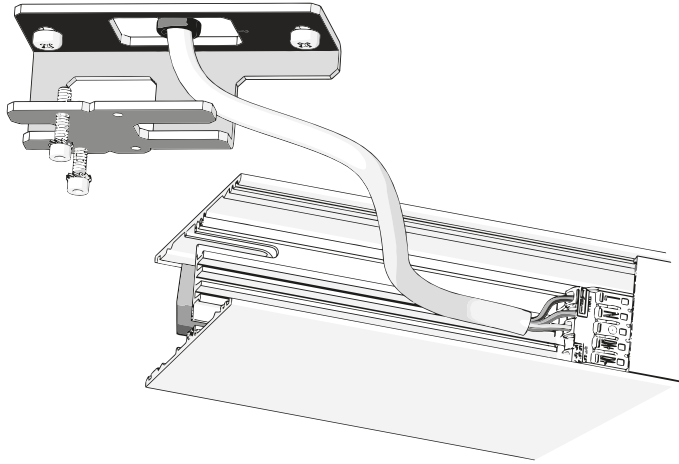
3



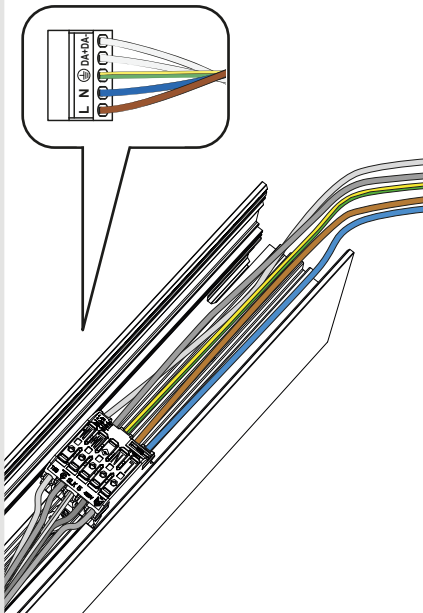
4a



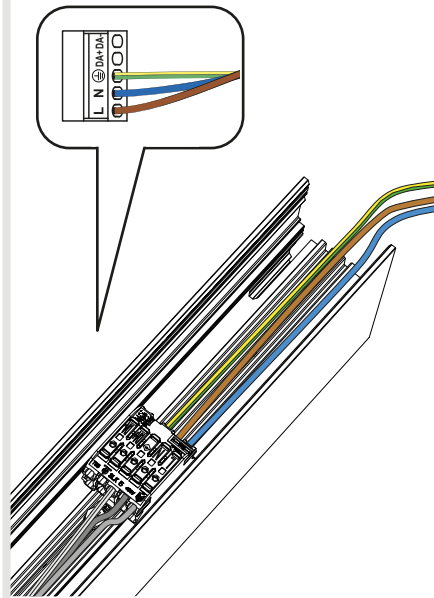
4b



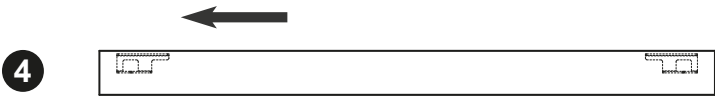
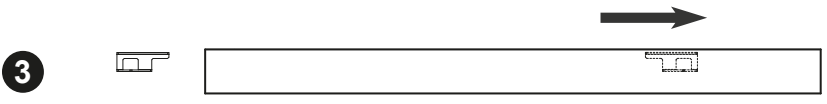
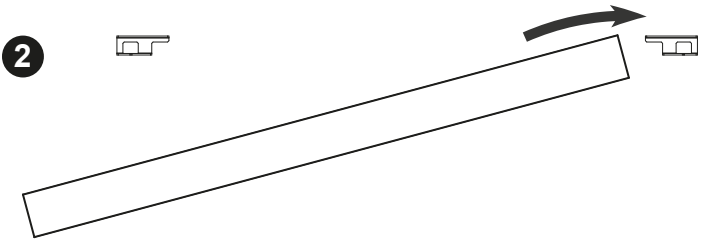
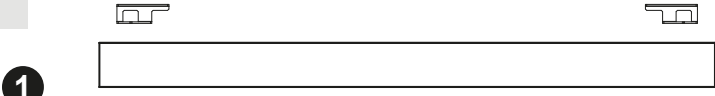
5a



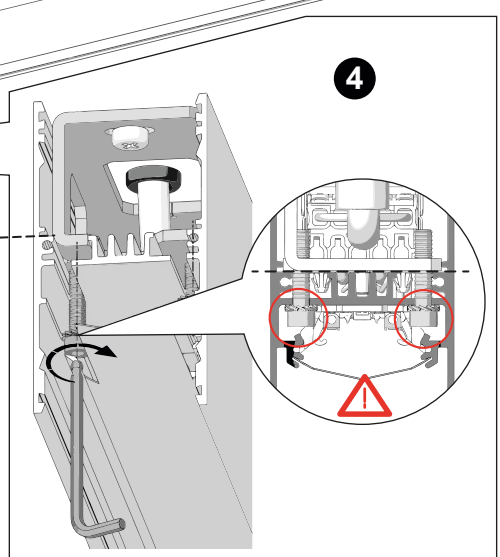
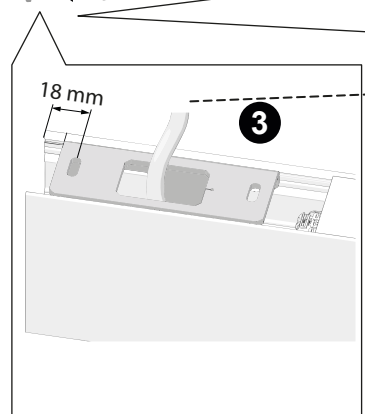
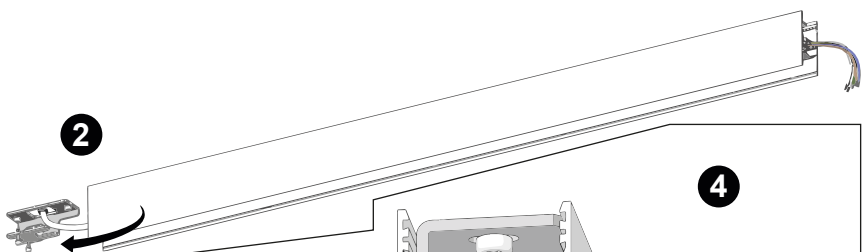
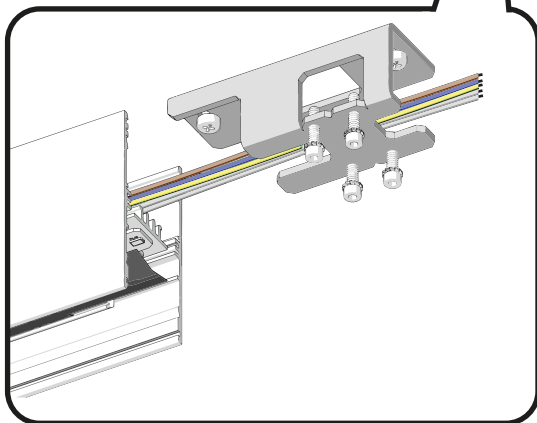
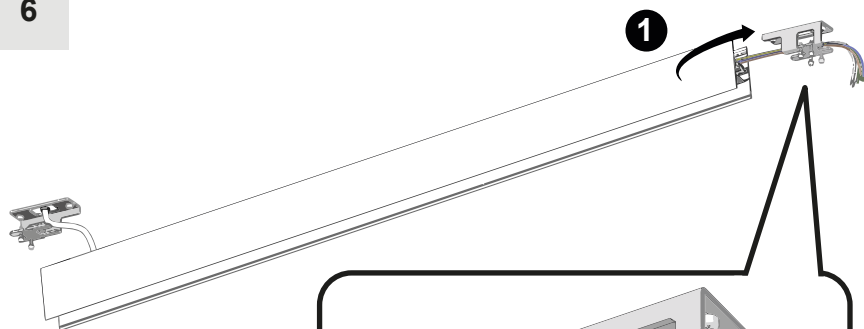
5b



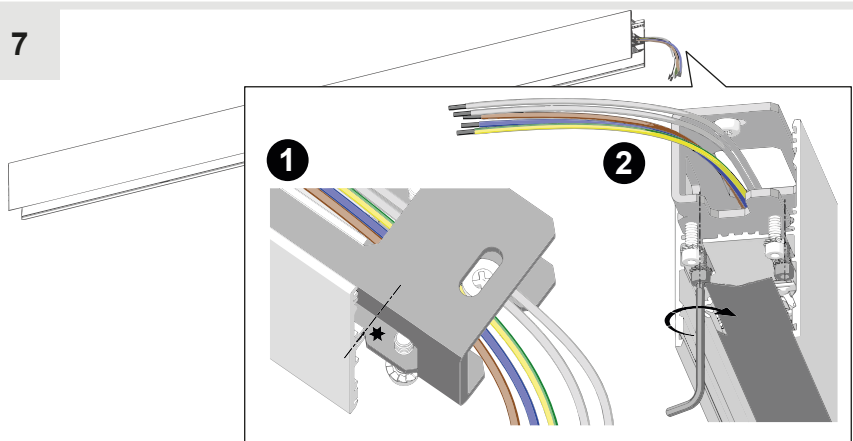
i



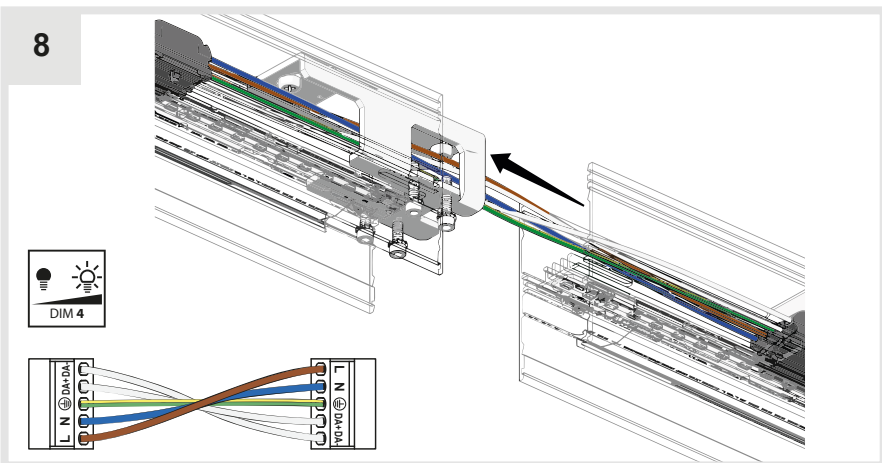
6



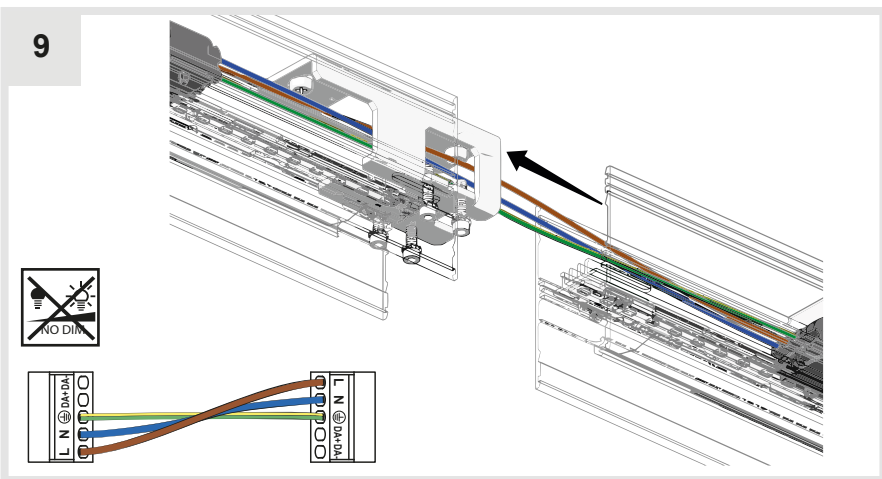
7



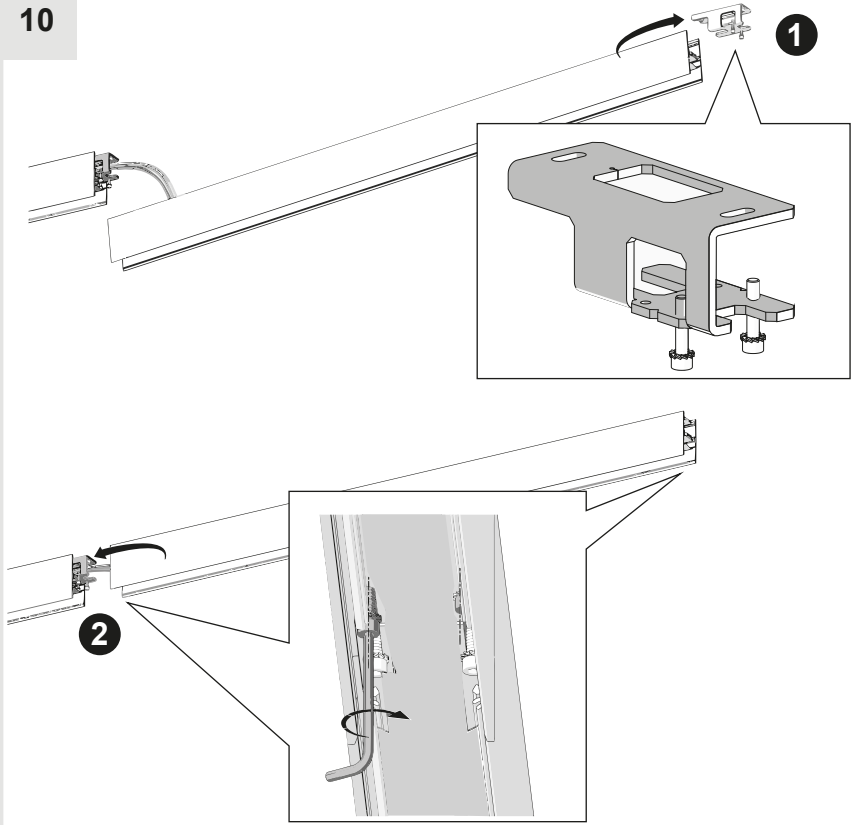
8



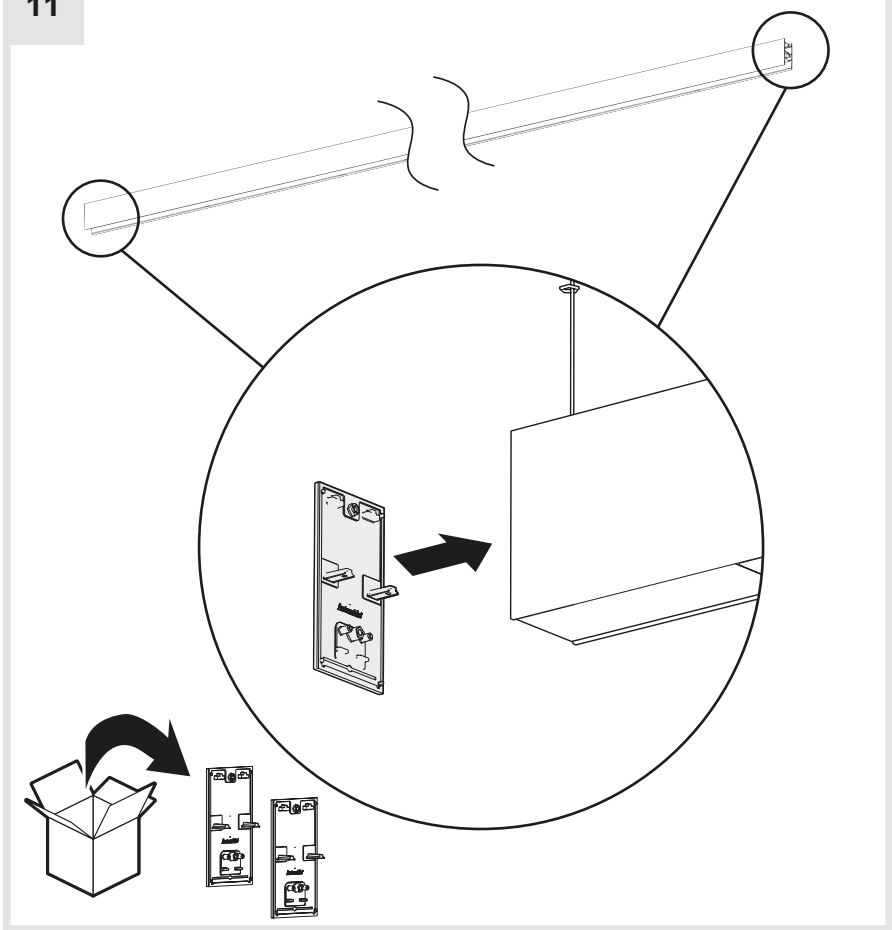
9



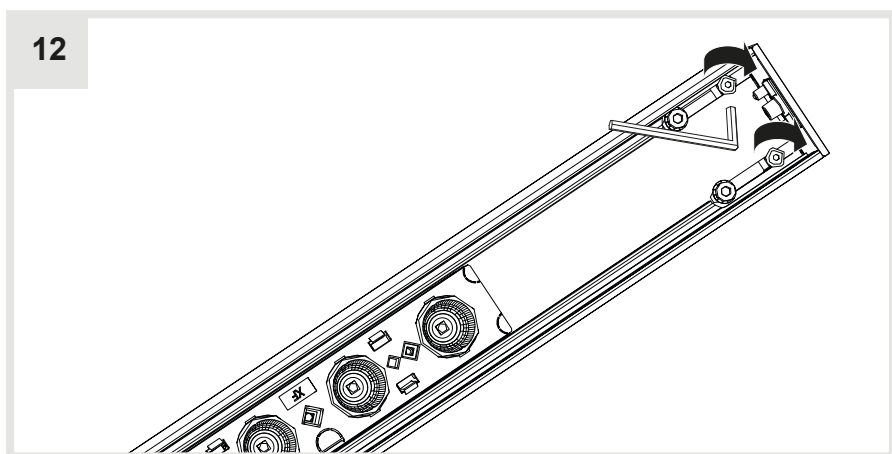
10

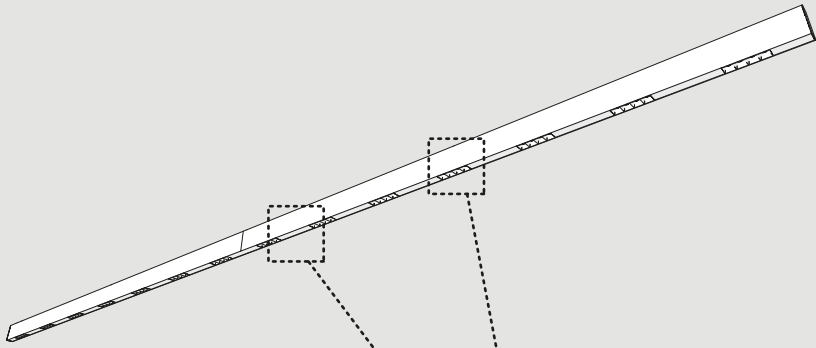


11

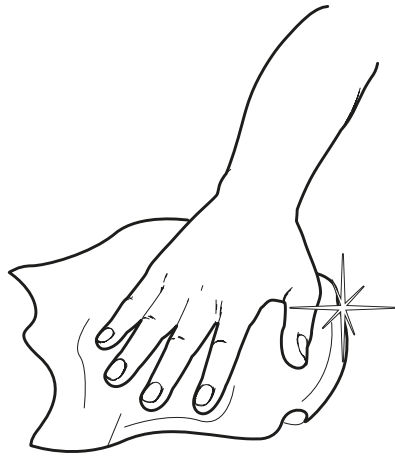
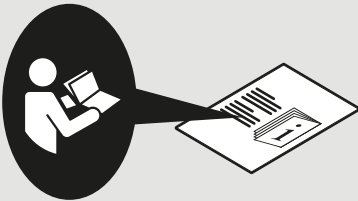


12





| | | |
|---|--|-------------------|
| → | | Y513001089 |
|---|--|-------------------|





Artemide Spa

via Bergamo, 18
20006 Pregnana M.se (MI)
ITALIA

Tel. +39 02 935 181
Fax +39 02 935 90 254
Fax +39 02 935 90 496

www.artemide.com

VAT IT00846890150